

# Assembly & Installation Instructions

**A187**

For Pendant 18-660 & 18-660F

Page 1 of 4

**CAUTION: FAILURE TO INSTALL THIS FIXTURE PROPERLY MAY RESULT IN SERIOUS PERSONAL INJURY OR DEATH AND PROPERTY DAMAGE. We recommend installation by a licensed electrician.**

This product must be installed in accordance with applicable installation code(s), by a person familiar with the construction and operation of the product and the hazards involved.\*

**Caution:** Do not exceed maximum wattage noted on fixture. Use only recommended bulbs with fixture.

## Stem Assembly (Figure 1)

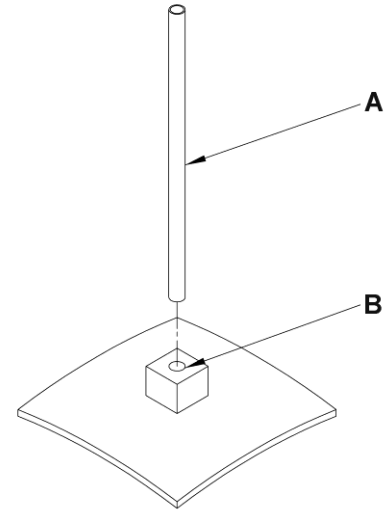
### Component Parts

- A Fixture Pipe
- B Fixture Coupling

1. Carefully unpack the fixture from the carton.
2. Carefully thread fixture pipe (A), threaded end first, over fixture wires.
3. Apply a drop of the supplied thread locking compound to the internal threads of the fixture coupling (B) and screw stem into fixture, being careful not to twist the wires.

**Note:** Application of the thread locking compound is necessary to prevent the stem from loosening during regular maintenance and cleaning of the fixture. Be certain to apply the compound.

4. See instructions below to complete the installation.



(Figure 1)

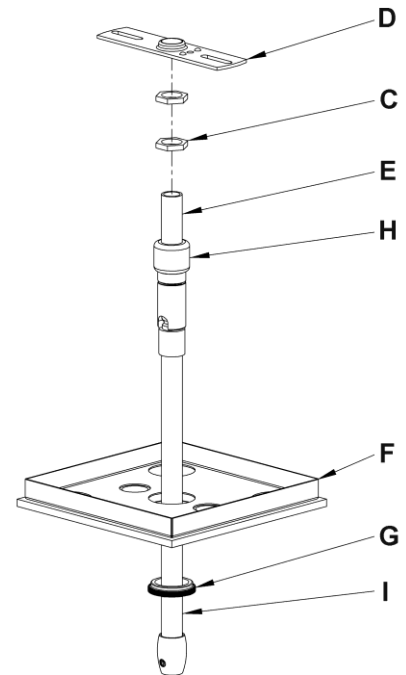
## Prepare the Canopy (Figure 2)

### Component Parts

- C Jam Nut (2)
- D Crossbar
- E Threaded Nipple
- F Canopy
- G Canopy Ring
- H Coupling
- I Canopy Pipe

**Caution:** Be sure power is off at the main breaker box prior to installation.

1. Thread Jam Nut (C) and Crossbar (D) onto threaded nipple (E) leave both parts loose.
2. Using two machine screws (not provided), temporarily fasten the crossbar (D) to the electric box.  
**Note:** A new electric box comes with screws. When replacing a fixture, retain the existing screws for use with the new fixture.
3. Adjust the length of Threaded Nipple (E) in crossbar (D) so that Canopy Ring (G) will hold Canopy (F) against the ceiling with no threads showing for best appearance. When the correct adjustment is established, tighten Jam Nut (C) against crossbar (D) to hold the adjustment.
4. Remove the crossbar and stem from the electrical box and proceed with the assembly instructions.



(Figure 2)

(continued)

# Assembly & Installation Instructions

For Pendant 18-660 & 18-660F

**A187**

Page 2 of 4

## Complete Assembly and Install (Figures 3 & 4)

### Component Parts

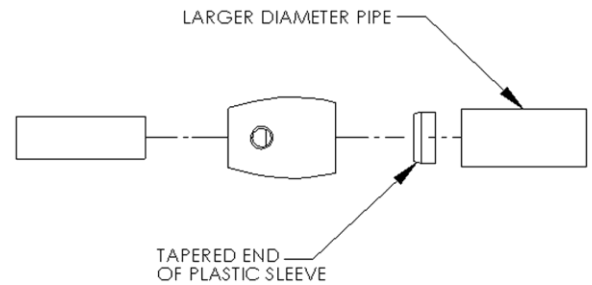
A	Fixture Pipe	G	Canopy Ring
C	Jam Nut	I	Canopy Pipe
D	Crossbar	J	Plastic Clutch Sleeve
E	Threaded Nipple	K	Clutch
F	Canopy	L	Set Screw

**Caution:** Be sure power is off at the main breaker box prior to installation.

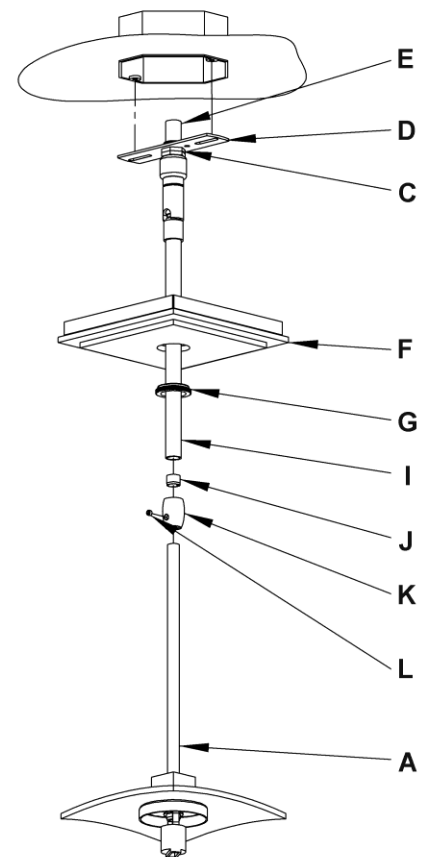
1. Thread crossbar (D) onto threaded nipple (E) until tight against jam nut (C).
2. Unscrew the clutch (K) from the canopy pipe (I); slide it across the wires and onto the fixture pipe (A). Follow this with the plastic clutch sleeve (J), oriented so the tapered end of the clutch sleeve nests in the clutch (Figure 3).
3. Thread wires from the fixture pipe (A) through the canopy pipe (I).
4. Slide the canopy pipe (I) as far as necessary to give you the total length of the fixture which you desire. Be careful not to scratch the pipe surfaces and to pull excess wire up through the canopy pipe (I). There must be a minimum 1-1/2" of inner pipe inside the outer pipe. Screw clutch (K) onto canopy pipe and hand-tighten the clutch to temporarily hold this adjustment. Tighten the set screw (L) firmly with hex wrench provided.

**Important:** To ensure full connection strength, be sure the tapered end of the plastic clutch sleeve is oriented toward the clutch when assembled and securely tighten set screw (Figure 4).

5. Using two machine screws (not provided), fasten the crossbar to the electric box.  
**Note:** A new electric box comes with screws. When replacing a fixture, retain the existing screws for use with the new fixture.
6. Using suitable wire connectors (not provided), connect fixture wires to supply wires (white to white or ribbed side of the fixture cord, black to black or smooth side, and bare copper to bare copper or green supply). Push wires back into outlet box.  
**Caution:** Make sure wire connectors are twisted on securely, and no bare wire is exposed.
7. Slide fixture canopy (F) against ceiling, and secure with canopy ring (G).
8. Refer instructions below and install glass.



(Figure 3)



(Figure 4)

(continued)

# Assembly & Installation Instructions

For Pendant 18-660 & 18-660F

**A187**

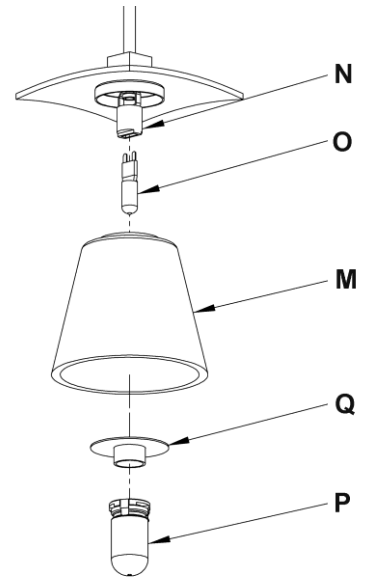
Page 3 of 4

## **To Install Glass with G9 Option** (Figure 5)

### Component Parts

- M Glass
- N Socket
- O Bulb (Included)
- P Bulb Shield
- Q Spacer

1. Install light bulb (O). Be careful not to touch bulb with bare hands; oil from the hands will dramatically reduce bulb life.
2. Slip glass (M) over socket (N).
3. Slip spacer (Q) over socket (N) so it rests on glass (M) (*Note orientation of spacer*).
4. Thread bulb shield (P) onto socket (N) (be careful not to over tighten). Future bulb changes may be accomplished by snapping glass portion of barrier on and off rather than unthreading the holder.
5. Restore electricity at main breaker.



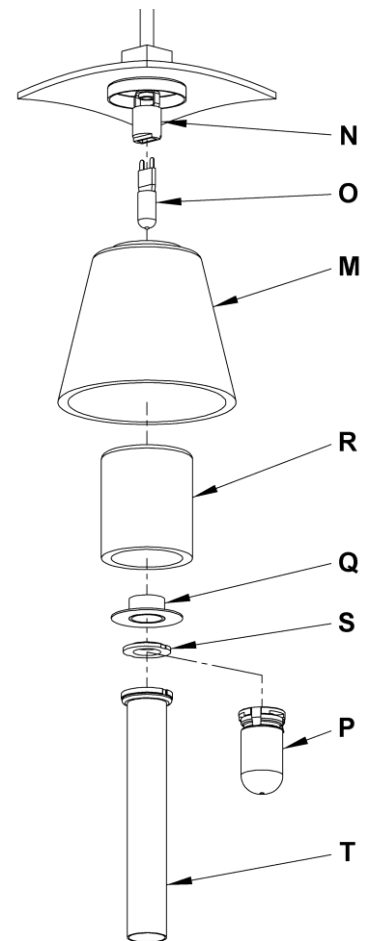
(Figure 5)

## **To Install Double Glass with G9 Option** (Figure 6)

### Component Parts

- M Glass
- N Socket
- O Bulb (Included)
- P Bulb Shield
- Q Spacer
- R Inner Glass
- S Retaining Ring
- T Retaining Ring Tool

1. Install light bulb (O). Be careful not to touch bulb with bare hands; oil from the hands will dramatically reduce bulb life.
2. Slip glass (M), inner glass (R) & spacer (Q) (*Note orientation of spacer*) over socket (N).
3. Thread retaining ring (S) onto socket (N) using provided retaining ring tool (T).
4. Thread bulb shield (P) onto socket (N) (be careful not to over tighten). Future bulb changes may be accomplished by snapping glass portion of barrier on and off rather than unthreading the holder.
5. Restore electricity at main breaker.



(Figure 6)

(continued)

# Assembly & Installation Instructions

For Pendant 18-660 & 18-660F

**A187**

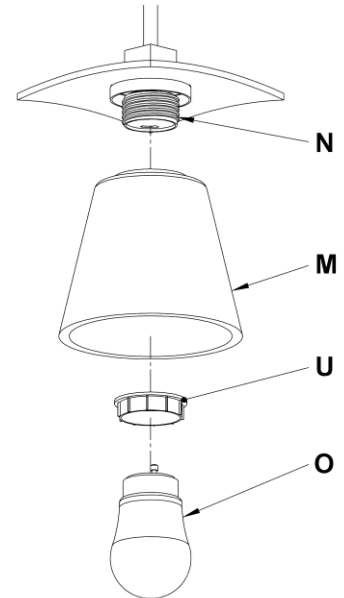
Page 4 of 4

## **To Install Glass with GU24 Option** (Figure 7)

### Component Parts

- M Glass
- N Socket
- O Bulb (Included)
- U Retaining Ring

1. Remove retaining ring (U) from socket (N). *Retaining Rings are shipped installed.*
2. Slip glass (M) over socket (N).
3. Thread retaining ring (U) onto socket. *Do not over tighten.*
4. Install light bulb (O) and restore electricity at main breaker.



(Figure 7)

*If you need further assistance, or find that you are missing any parts, please contact the dealer from which you purchased this product. We hope you enjoy your fixture!*

\* Hubbardton Forge will not be liable for injury or damage caused by improper installation, lamping or use of this fixture.