

Assembly Instructions

A25

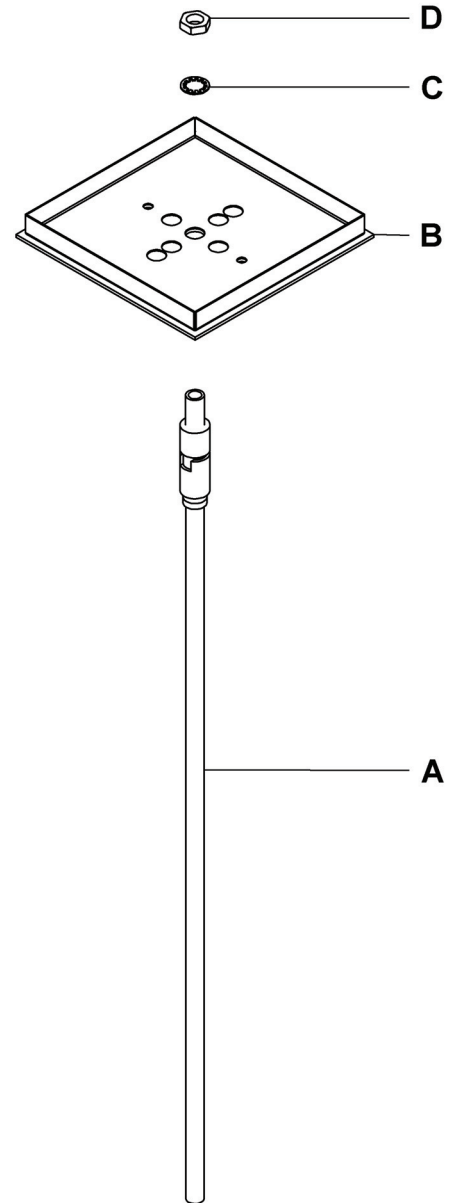
For Knock-Down Canopies

Component Parts

- A Stem(s)
- B Square Can
- C Lock Washer
- D Nut

To Assemble

1. Carefully unpack the fixture from the carton.
2. Insert threaded end of stem (A) up through hole in square can (B).
Note: On triple stem canopies, one pipe may be longer than the rest. This pipe should be assembled first, and should be in the center.
3. Place lock washer (C) and nut (D) onto the stem and tighten securely.
4. Repeat steps 2 and 3 for the remaining stems, if applicable.
5. Refer to the installation instructions packaged with your new pendant to complete the installation.



If you need further assistance, or find that you are missing any parts, please contact the dealer from which you purchased this product. We hope you enjoy your fixture!