

Assembly & Installation Instructions

A289

For Staccato Pendant 18-497

Page 1 of 2

CAUTION: FAILURE TO INSTALL THIS FIXTURE PROPERLY MAY RESULT IN SERIOUS PERSONAL INJURY OR DEATH AND PROPERTY DAMAGE. We recommend installation by a licensed electrician.

This product must be installed in accordance with applicable installation code(s), by a person familiar with the construction and operation of the product and the hazards involved.*

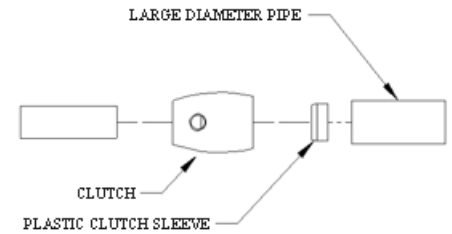
Caution: Do not exceed maximum wattage noted on fixture. Use only recommended bulbs with fixture.

Please Note: After installation extra hardware and accessories are possible; our kits are used on multiple products and options.

To Complete Fixture Assembly (Figures 1 & 2)

Component Parts

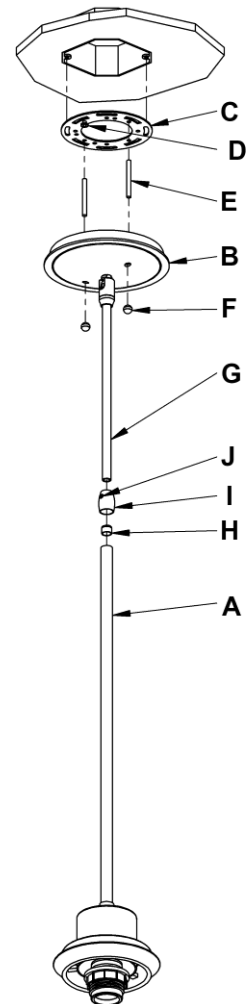
A	Fixture Pipe	F	Knurled Balls (2)
B	Canopy	G	Canopy Pipe
C	Crossbar	H	Plastic Clutch Sleeve
D	Ground Screw	I	Clutch
E	Threaded Stud (2)	J	Set Screw



(Figure 1)

Caution: Be sure power is off at the main breaker box prior to installation.

1. Thread the wires from the fixture pipe (A) into and through the canopy pipe (G) up through the canopy (B).
2. Unscrew the clutch (I) from the fixture pipe (A); slide it across the wires and onto the canopy pipe (A). Follow this with the plastic clutch sleeve (H), oriented so the tapered end of the clutch sleeve nests in the clutch (Figure 1).
3. Slide the canopy pipe (G) as far as necessary to give you the total length of the fixture which you desire. Be careful not to scratch the pipe surfaces and to pull excess wire up through the canopy pipe (G). Screw clutch (I) onto fixture pipe (A). There must be a minimum 1-1/2" of inner pipe inside the outer pipe. Hand-tighten the clutch to temporarily hold this adjustment. Tighten the set screw (J) firmly with hex wrench provided.
Important: To ensure full connection strength, be sure the tapered end of the plastic clutch sleeve is oriented toward the clutch when assembled and securely tighten set screw (Figure 1).
4. Thread studs (E) through appropriate holes in crossbar (C) to match holes in canopy (B).
5. Using two machine screws (not provided), fasten the crossbar (C) to the electric box.
Note: A new electric box comes with screws. When replacing a fixture, retain the existing screws for use with the new fixture.
6. Using suitable wire connectors (not provided) connect fixture wires to supply (white to white or ribbed and black to black or smooth). Run a pigtail lead from crossbar ground screw (D) to the junction box and connect all ground wires (bare copper or green to bare copper or green). **Caution:** Make sure wire connectors are twisted on securely, and no bare wire is exposed.
7. Slide canopy (B) over threaded studs (E) and push firmly to ceiling, making sure that no wires are pinched between fixture canopy and ceiling. Fasten with knurled balls (F). Be sure studs (E) are fully seated in the knurled balls (F).
8. Refer instructions to instructions following to install glass.



(continued)

To Install Metal Shade & Glass (Figure 3)

HUBBARDTON FORGE®

Hand-Forged, Vermont-Made Lighting and Accessories
P.O. Box 827, 154 Route 30 South, Castleton, Vermont 05735

26777 B

Assembly & Installation Instructions

For Staccato Pendant 18-497

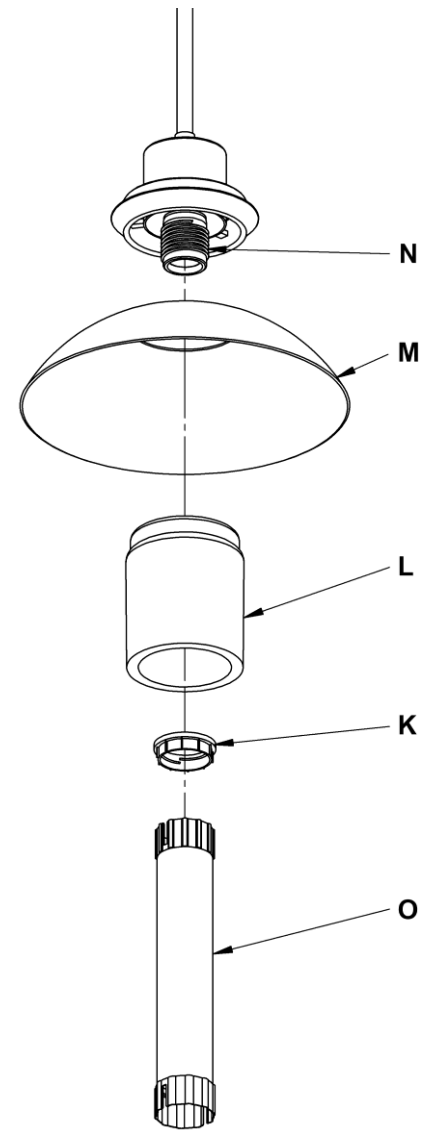
A289

Page 2 of 2

Component Parts

- K Retaining Ring
- L Glass
- M Metal Shade
- N Socket
- O Retaining Ring Tool

1. Remove retaining ring (K) from socket (N) and retain for later use.
Retaining Ring is shipped installed.
2. Place metal shade (M) over glass (L) and then place glass (L) over socket (N).
3. Thread retaining ring (K) onto socket (N) and tighten using retaining ring tool (O) until snug against glass (L). *Do not over-tighten.*
4. Install light bulb (*not included*).
5. Restore electricity at the main breaker.



(Figure 3)

If you need further assistance, or find that you are missing any parts, please contact the dealer from which you purchased this product. We hope you enjoy your fixture!

* Hubbardton Forge will not be liable for injury or damage caused by improper installation, lamping or use of this fixture.