

Pendant Glass Installation Instructions

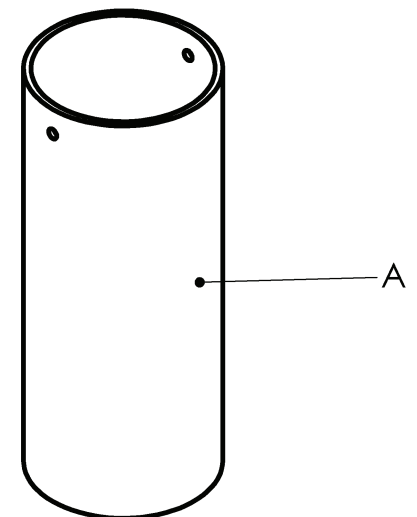
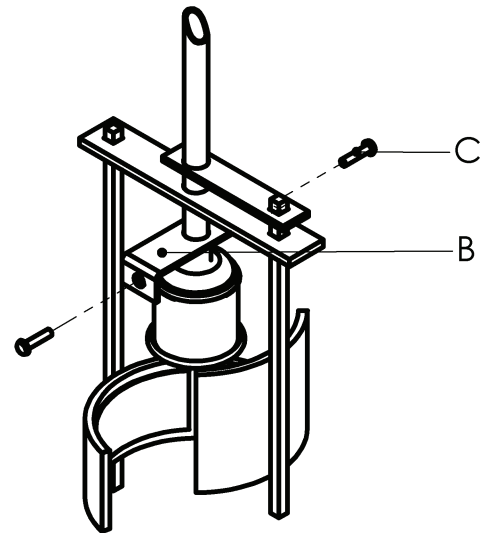
A30

Caution: Do not exceed maximum wattage noted on fixture. Use only recommended bulbs with fixture.

For fixtures requiring assembly, please refer to assembly instructions before installation.

To Install Glass

1. Remove two screws (C) from bracket (B).
2. Carefully insert glass (A) up into pendant with the holes toward the top.
3. Align holes in glass with threaded holes in bracket (B) and secure using two screws (C).



If you need further assistance, or find that you are missing any parts, please contact the dealer from which you purchased this product. We hope you enjoy your fixture!