

# Assembly & Installation Instructions

**CAUTION: FAILURE TO INSTALL THIS FIXTURE PROPERLY MAY RESULT IN SERIOUS PERSONAL INJURY OR DEATH AND PROPERTY DAMAGE. We recommend installation by a licensed electrician.**

This product must be installed in accordance with applicable installation code(s), by a person familiar with the construction and operation of the product and the hazards involved.\*

**Caution:** Do not exceed maximum wattage noted on fixture. Use only recommended bulbs with fixture.

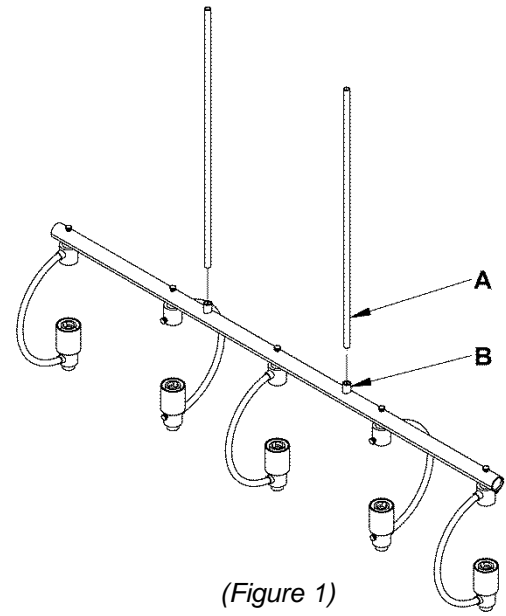
## To Attach Fixture Pipes (Figure 1)

### Component Parts

- A Fixture Pipe
- B Fixture Coupling

1. Carefully unpack the fixture from the carton.
2. Carefully thread fixture pipe (A), non-painted threaded end first, over fixture wires.
3. Apply a drop of the supplied thread locking compound to the internal threads at the top of the fixture coupling (B) and screw stem into coupling (B), being careful not to twist the wires.

**Note:** Application of the thread locking compound is necessary to prevent the stem from loosening during regular maintenance and cleaning of the fixture. Be certain to apply the compound.



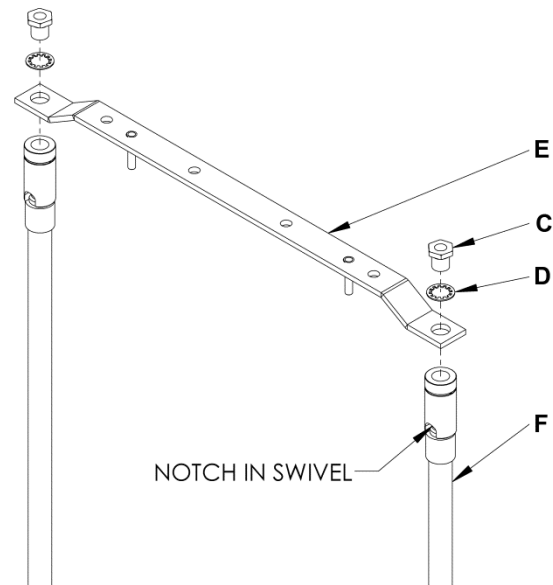
## To Assemble Canopy Pipes to Ceiling Bracket (Figure 2)

### Component Parts

- C Hex Nipple (2)
- D Lock Washer (2)
- E Ceiling Bracket
- F Canopy Pipes (2)

1. Insert threaded end of hex nipple (C) down through lock washer (D), ceiling bracket (E) and into swivel at the end of canopy pipe (F). *Note: Ceiling bracket oriented with threaded studs pointing downward.*
2. Tighten hex nipples (C) securely being sure the notches in the swivels are aligned.

**Note:** If installing on a sloped ceiling, make certain that the notches in the swivel portion of the stems are oriented toward the lower side of the slope.



(Figure 2)

(continued)

# Assembly & Installation Instructions

Pluto 5lt Pendant 13-7805

**A361**

Page 2 of 4

## To Complete Fixture Assembly (Figures 3 & 4)

### Component Parts

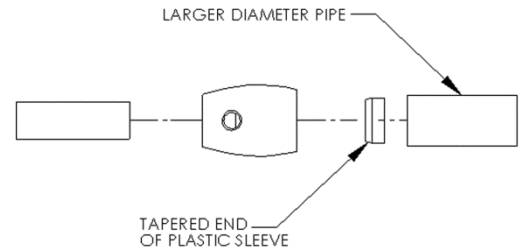
- |   |                  |   |                           |
|---|------------------|---|---------------------------|
| A | Fixture Pipe (2) | H | Plastic Clutch Sleeve (2) |
| C | Hex Nipple       | I | Set Screw (2)             |
| F | Canopy Pipe (2)  | J | Canopy                    |
| G | Clutch (2)       |   |                           |

**Caution:** Be sure power is off at the main breaker box prior to installation.

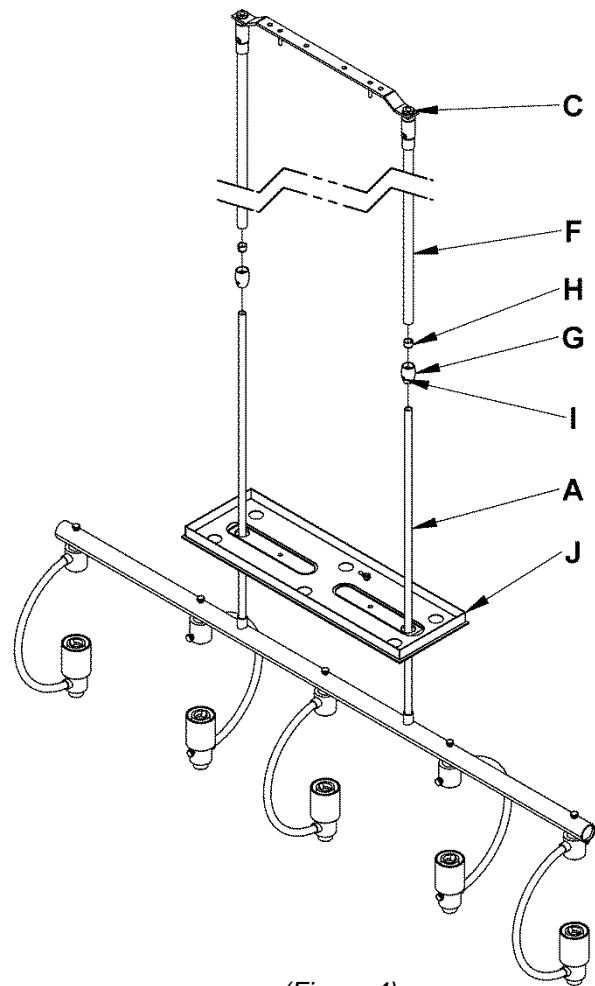
1. Thread wires from the fixture pipe (A) through canopy (J). Slide canopy (J) down fixture pipe (A) until it rest on top of fixture.
2. Thread the wires from the fixture pipe (A) through the canopy pipe (F) and up through the hex nipple (C).
3. Unscrew the clutch (G) from the canopy pipe (F); slide it across the wires and onto the fixture pipe (A). Follow this with the plastic clutch sleeve (H), oriented so the tapered end of the clutch sleeve nests in the clutch (Figure 3).
4. Slide the canopy pipe (F) as far as necessary onto fixture pipe (A) to give you the total length of the fixture which you desire. Be careful not to scratch the pipe surfaces and to pull excess wire up through the canopy pipe (F). Screw clutch (G) onto canopy pipe (F). There must be a minimum 1-1/2" of inner pipe inside the outer pipe. Hand-tighten the clutch to temporarily hold this adjustment. The clutch is not securely fastened at this point; do not depend on it to hold the fixture.

**Important:** To ensure full connection strength, be sure the tapered end of the plastic clutch sleeve is oriented toward the clutch when assembled (Figure 3).

5. Tighten the set screw (I) firmly with hex wrench provided. Only after the set screw (I) is tight should you install to the ceiling.
6. Continue with ceiling installation.



(Figure 3)



(Figure 4)

(continued)

# Assembly & Installation Instructions

Pluto 5lt Pendant 13-7805

**A361**

Page 3 of 4

## To Install to Ceiling (Figure 5)

### Component Parts

E Ceiling Bracket	K Crossbar	N Barrel Knob (2)
I Set Screw (2)	L #8 Screw (2)	O Ground Screw
J Canopy	M Threaded Stud (2)	

1. Using two machine screws (not provided) fasten the crossbar (K) to the electric box using outer oval slots to orient fixture to desired hanging position.

**Note:** A new electric box comes with screws. When replacing an existing fixture, retain screws for use with the new fixture.

2. Raise fixture to ceiling. Align holes in crossbar (K) with holes in ceiling bracket (E) and install two #8 screws (L).

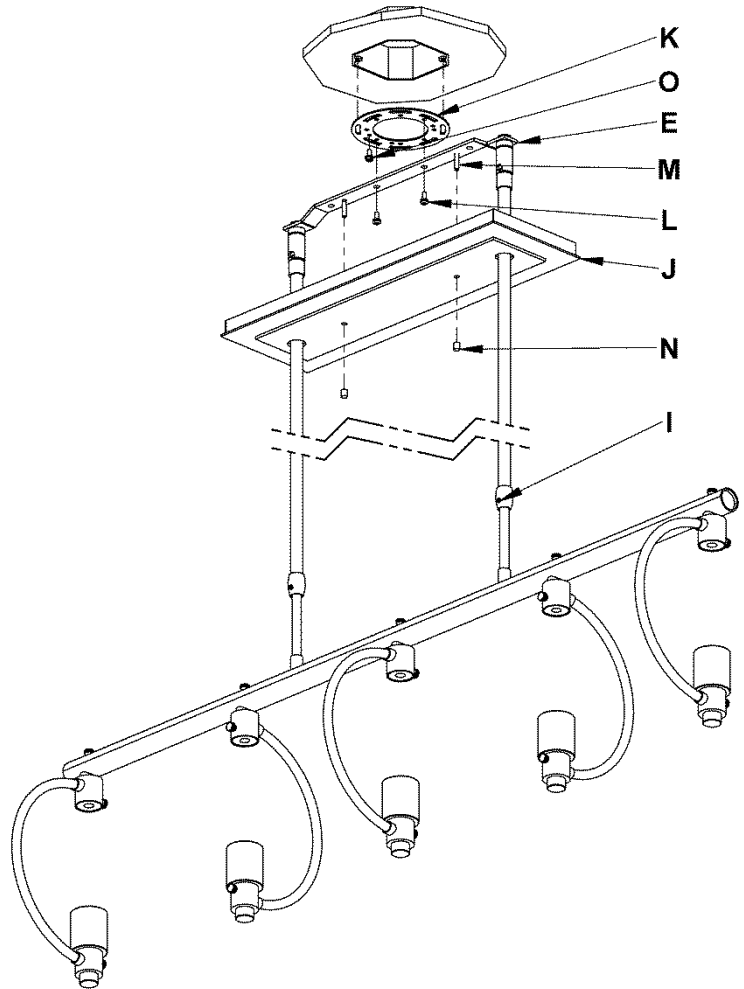
3. Using suitable wire connectors (not provided) connect fixture wires to supply (white to white and black to black). Run a pigtail lead from crossbar ground screw (O) to the junction box and connect all ground wires (bare copper or green to bare copper or green). Push wires back into outlet box.

**Caution:** Make sure wire connectors are twisted on securely, and no bare wire is exposed.

4. Raise canopy (J) to ceiling, slide over threaded studs (M) and push firmly to ceiling, making sure that no wires are pinched between canopy (J) and ceiling. Fasten with barrel knob (N).

**Note:** Be sure both swivel notches are aligned in the same direction. For sloped ceilings the notches should face towards the down side.

5. Refer to instructions following to install glass.



(Figure 5)

# Assembly & Installation Instructions

Pluto 5lt Pendant 13-7805

**A361**

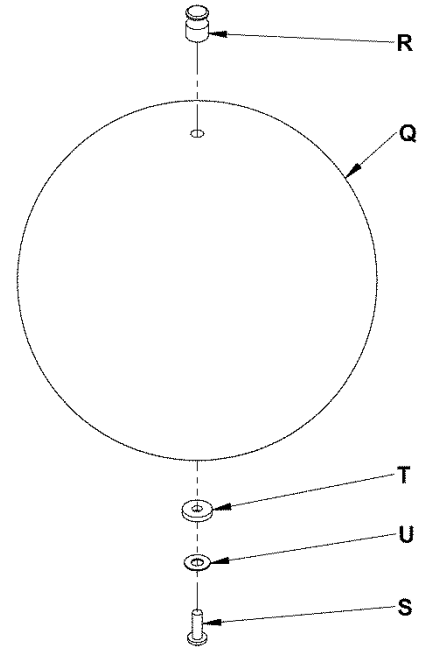
Page 4 of 4

## **To Install Glass** (Figure 6 & 7)

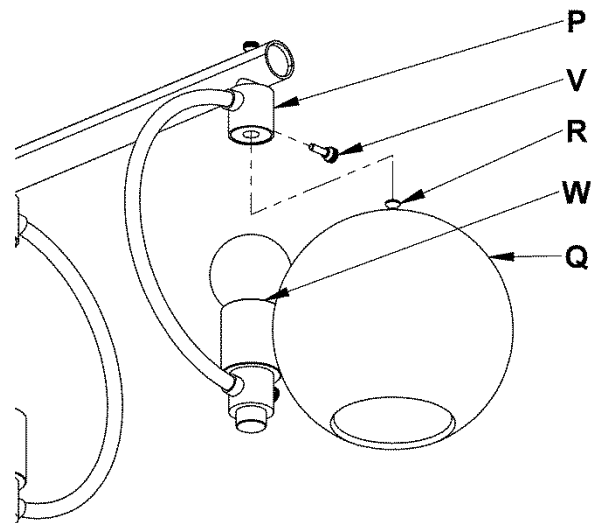
### Component Parts

- P Fixture Assembly
- Q Glass
- R Round Block
- S #8 Screw
- T Rubber Washer
- U Metal Washer
- V Thumb Screw
- W Socket

1. Install light bulb (*not provided*) into socket (W).
2. Remove round block (R) from fixture (P) by loosening thumb screw (V). Remove #8 screw (S) and washers (T&U) from block (R). *Round block and hardware are shipped assembled.*
3. Attach glass (Q) to round block (R) using #8 screw (S), metal washer (U), and rubber washer (T). (Figure 6)  
*Note: Be sure not to over tighten the screw.*
4. Tilt glass (Q) over bulb and fasten round block (R) to fixture assembly (P) using the thumb screw (V). (Figure 4)
5. Repeat for remaining pieces of glass.
6. Restore electricity at main breaker.



(Figure 6)



(Figure 7)

*If you need further assistance, or find that you are missing any parts, please contact the dealer from which you purchased this product. We hope you enjoy your fixture!*

\* Hubbardton Forge will not be liable for injury or damage caused by improper installation, lamping or use of this fixture.