

# Installation Instructions

A39

## For Fixtures with Perforated Metal Diffusers

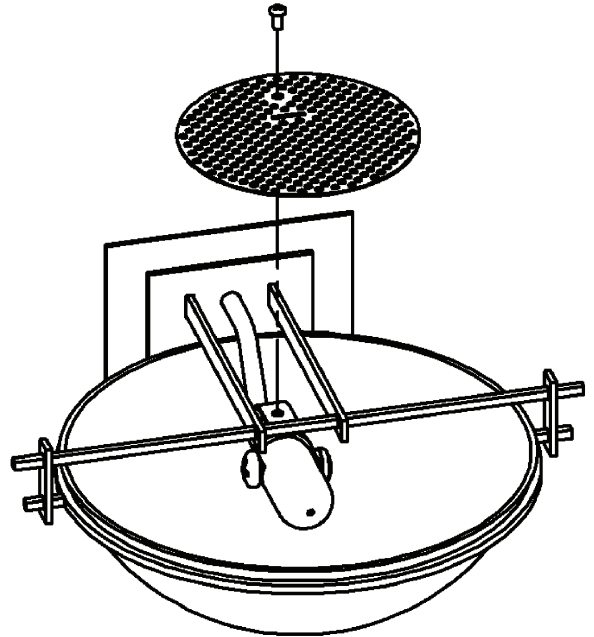
**Caution: Do not exceed maximum wattage noted on fixture. Use only recommended bulbs with fixture.**

Your new lighting fixture has been supplied with one or two perforated metal diffuser(s) for optional use. Use of the diffuser(s) shields the bulb from sight when the fixture is viewed from above and reflects more light downward. Leaving the diffuser off provides more up light.

### To Install

**Caution: Bulb gets hot quickly! Turn off fixture and allow it to cool before installing or removing diffuser.**

Place metal diffuser(s) onto diffuser bracket located just above the socket(s) in the lighting fixture and secure with screw(s).



*This illustration represents a typical fixture and may not match every style.*

*If you need further assistance, or find that you are missing any parts, please contact the dealer from which you purchased this product. We hope you enjoy your fixture!*