

Installation Instructions

Lure Chandelier 101480

A407

Page 1 of 3

CAUTION: FAILURE TO INSTALL THIS FIXTURE PROPERLY MAY RESULT IN SERIOUS PERSONAL INJURY OR DEATH AND PROPERTY DAMAGE. We recommend installation by a licensed electrician.

This product must be installed in accordance with applicable installation code(s), by a person familiar with the construction and operation of the product and the hazards involved.*

Caution: Do not exceed maximum wattage noted on fixture. Use only recommended bulbs with fixture.

To Install the Canopy (Figures 1 & 2)

Component Parts

A	Ground Screw	F	Loop Collar	L	Threaded Coupling
B	Crossbar	G	Canopy Loop	M	Decorative Assembly
C	Lock Nut	H	Fixture Loop	O	Bottom Fixture Loop
D	Nipple	I	Chain	P	Braided Sleeving
E	Canopy	K	Socket Cup	Q	Fixture Pipe

Caution: Be sure power is off at the main breaker box prior to installation

1. Carefully unpack the fixture from the carton.

Caution: Be sure not to pull on decorative assembly (M). There is only approximately 12" of braided sleeving (P) supplied with the fixture. If the decorative assembly (M) is pulled away from the fixture loop (O), the sleeving will pull out of the fixture loop (O). If this happens, unthread fixture loop (O) from fixture pipe (Q). Feed sleeving (P) into loop (O) and then inside of pipe (Q). Rethread fixture loop (O) back on to fixture pipe (Q).

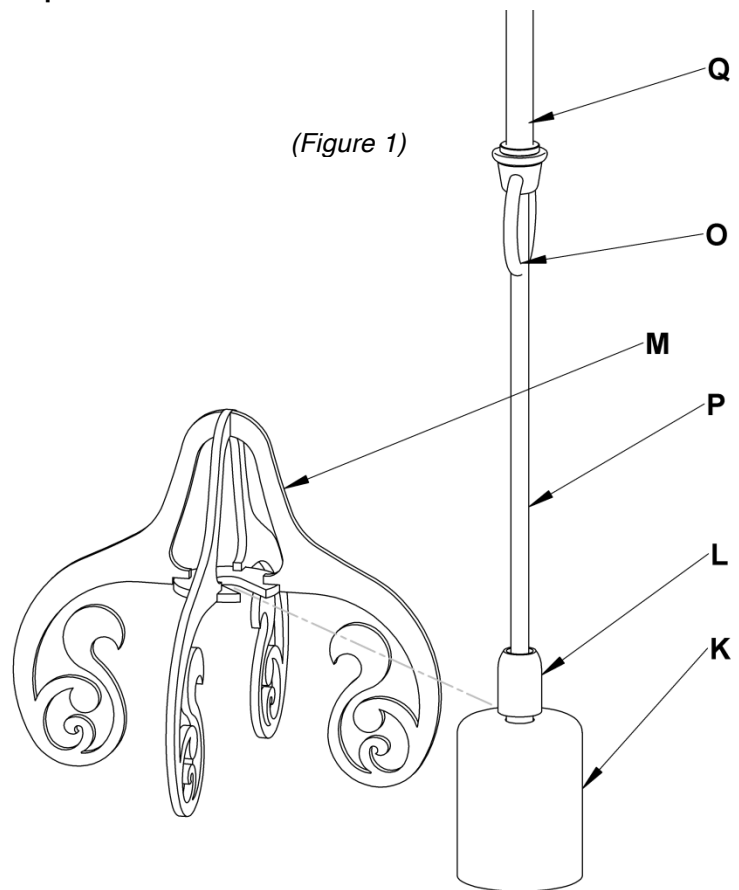
2. Unscrew threaded coupling (L) just enough to slide the decorative assembly (M) away from the socket cup (K) and threaded coupling (L). Set decorative assembly (M) aside.

3. Using two machine screws (not provided), fasten the crossbar (B) to the electric box.
Note: A new electric box comes with screws. When replacing a fixture, retain the existing screws for use with the new fixture.

4. Thread lock nut (C) and canopy loop (G) onto threaded nipple (D). Thread nipple (D) into crossbar (B), leaving parts loose.

Adjust the length of threaded nipple (D) in crossbar (B) so that loop collar (F) will hold canopy (E) against the ceiling with no threads showing on the canopy loop (G) for best appearance. When the correct adjustment is established, tighten lock nut (C) against crossbar (B) to hold adjustment.

5. Remove the crossbar (B) assembly from electrical box.



(continued)

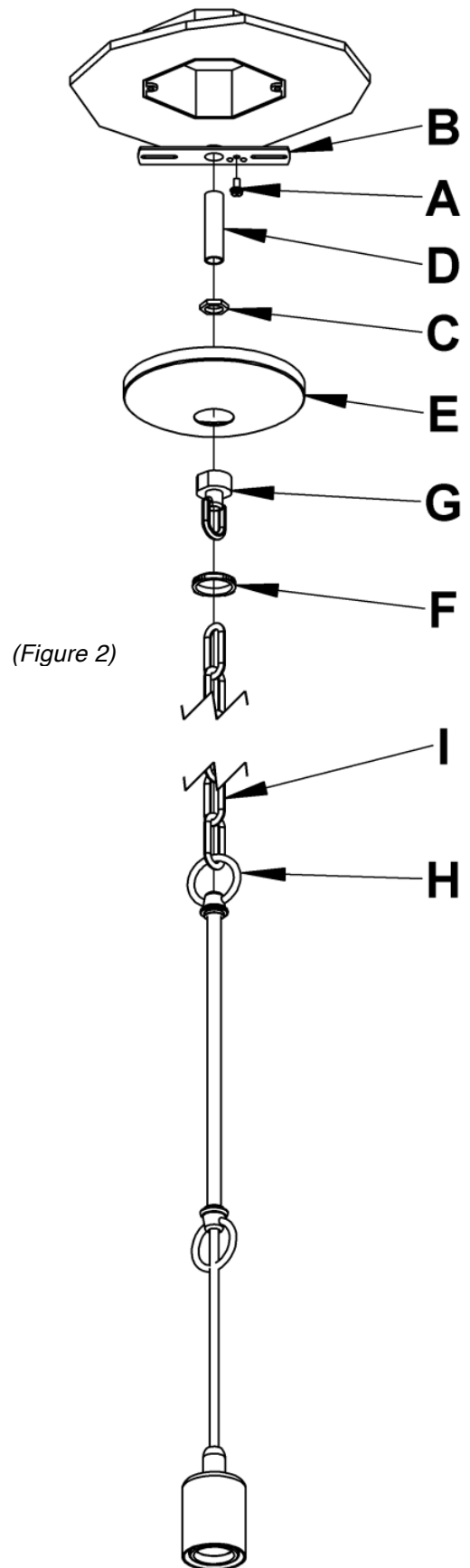
Installation Instructions

A407

Lure Chandelier 101480

Page 2 of 3

6. Attach one end of the chain (I) to the fixture loop (H). Lace the wires through every other link of the chain (I) to the end. Slip wires and chain (I) through loop collar (F), and canopy (E). Fasten the chain (I) to the canopy loop (G).
7. Slip wires through the canopy loop (G) and nipple (D). Make sure to provide enough slack in the wire to ensure weight of fixture is supported by the chain (I).
8. Using two machine screws (not provided), reattach the crossbar (B) to the electric box.
9. Using suitable wire connectors (not provided) connect fixture wires to supply wires (white to ribbed side of the fixture cord, black to smooth side). Run a pigtail lead from crossbar ground screw (A) toward the junction box and connect all ground wires (bare copper or green to bare copper or green).
Caution: Make sure wire connectors are twisted on securely, and no bare wire is exposed.
10. Raise canopy (E) to the ceiling and secure loop collar (F) to canopy loop (G).
11. Follow instructions on next page to install glass.



Installation Instructions

A407

Lure Chandelier 101480

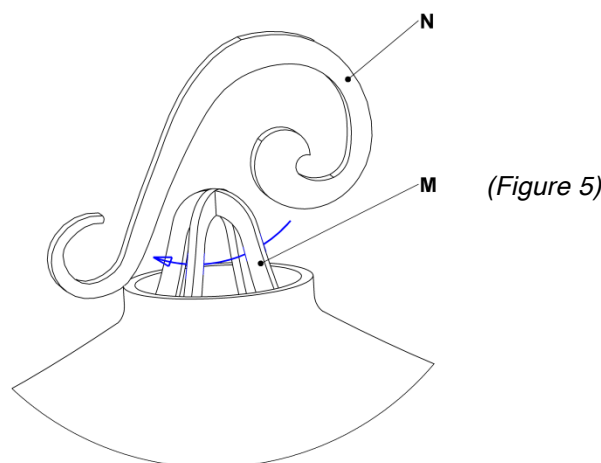
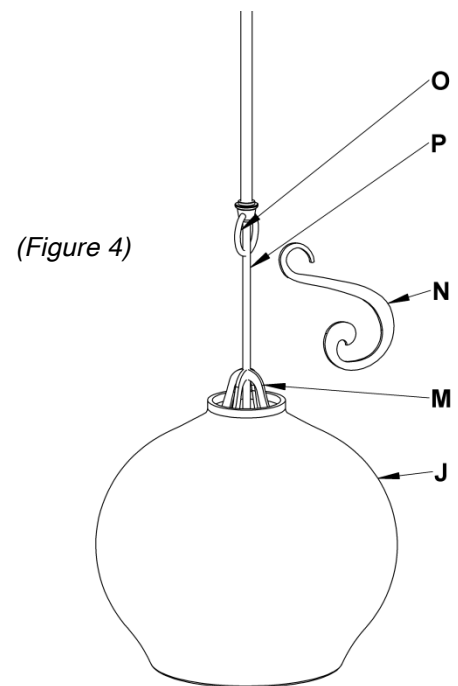
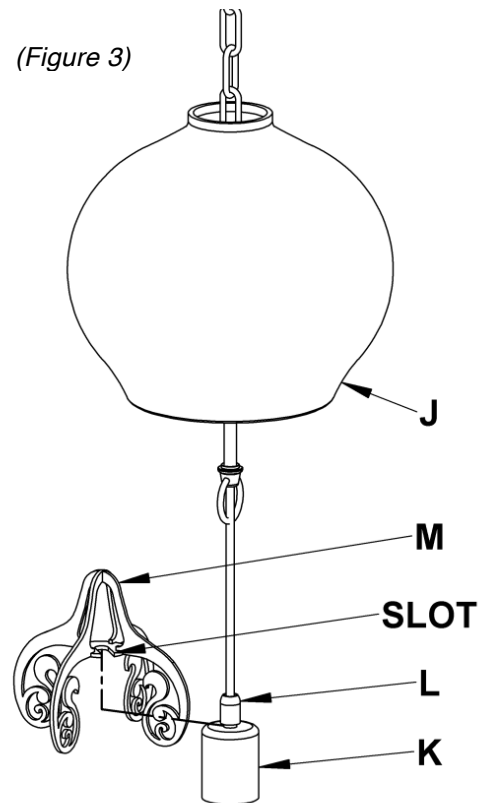
Page 3 of 3

To Install Glass (Figure 3 & 4)

Component Parts

- J Glass
- K Socket cup
- L Threaded Coupling
- M Decorative Assembly
- N Decorative Loop
- O Bottom Fixture Loop

1. Slide glass (J) over socket cup (K) and raise it up out of the way.
Note: This step requires two people. Have someone hold the glass (J) while the next steps are completed.
2. Align slot in decorative assembly (M) with coupling (L). Slip between coupling (L) and socket cup (K). Tighten coupling (L) to secure decorative assembly (M).
3. Slide glass (J) down over decorative assembly (M) so that decorative assembly sticks out through the opening in the glass.
Note: Do not let the glass rest on the decorative assembly yet. The weight of the glass may pull the braided sleeving (P) out of the bottom fixture loop (O). If this happens see step 1.
4. While still holding the weight of the glass (J), attach the decorative loop (N) to the decorative assembly (M) and to the bottom fixture loop (O). (Figure 4 & 5).
5. Lower glass (J) and allow it to rest on decorative assembly (M).
6. Install light bulb (not provided) into socket.
7. Restore electricity at main breaker.



If you need further assistance, or find that you are missing any parts, please contact the dealer from which you purchased this product. We hope you enjoy your fixture!

* Hubbardton Forge will not be liable for injury or damage caused by improper installation, lamping or use of this fixture.