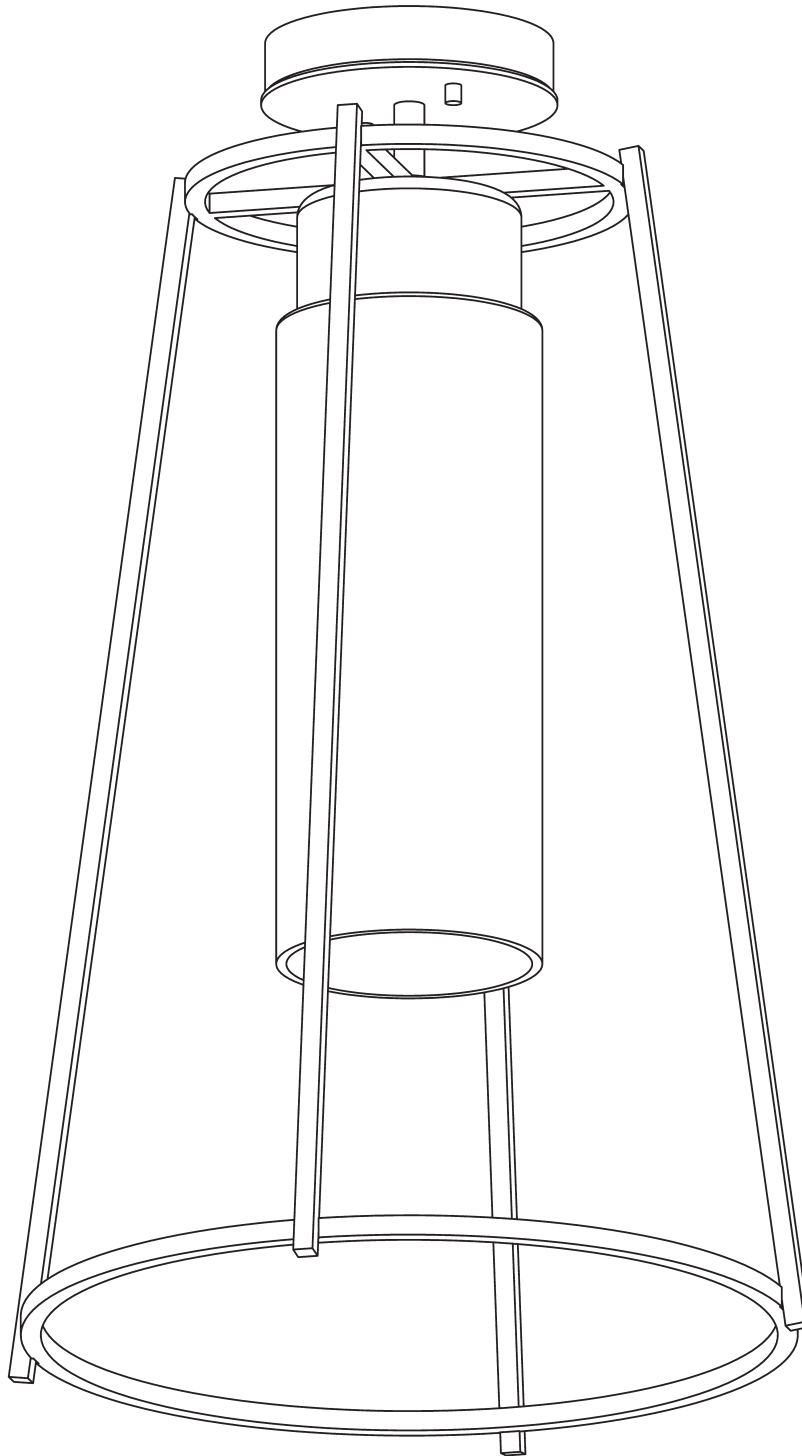


ASSEMBLY & INSTALLATION INSTRUCTIONS

A574

Loft Outdoor Semi-Flush 363025



Component Parts

- A** **Crossbar**
- B** **Threaded Studs (2)**
- C** **Ground Screw**
- D** **Canopy**
- E** **Barrel nuts**
- F** **Fixture**
- G** **Socket**
- H** **Glass**
- I** **Retaining Ring**
- J** **Washer**



ASSEMBLY & INSTALLATION INSTRUCTIONS

A574

Loft Outdoor Semi-Flush 363025

CAUTION: FAILURE TO INSTALL THIS FIXTURE PROPERLY MAY RESULT IN SERIOUS PERSONAL INJURY OR DEATH AND PROPERTY DAMAGE. We recommend installation by a licensed electrician. This product must be installed in accordance with applicable installation code(s), by a person familiar with the construction and operation of the product and the hazards involved.*

Caution: Do not exceed maximum wattage noted on fixture. Use only recommended bulbs with fixture.

Please Note: After installation, extra hardware and accessories are possible; our kits are used on multiple products.

To Install Fixture (Figure 1, on next page)

CAUTION: BE SURE POWER IS OFF AT THE MAIN BREAKER BOX PRIOR TO INSTALLATION.

1. Locate crossbar (A). Thread threaded studs (B) into appropriate locations that align with the holes in the canopy (D). Threaded studs should be threaded into the same side of the crossbar as the ground screw (C).
2. Using two machine screws (not provided), fasten the crossbar (A) to the electrical box with threaded studs (B) pointing downward.
Note: A new electric box comes with screws. When replacing a fixture, retain the existing screws for use with the new fixture.
3. Attach a pigtail lead to the ground screw (C). Hold fixture (F) close to ceiling. Using suitable wire connectors (not provided) connect wires to supply wires (white to white and black to black). Connect all ground wires (bare copper or green to bare copper or green).

CAUTION: BE SURE WIRE CONNECTORS ARE TWISTED ON SECURELY AND NO BARE WIRE IS EXPOSED.

4. Slide canopy (D) over threaded studs (B) and push firmly to ceiling. Fasten with barrel nuts (E). Be sure studs are fully seated in the barrel nuts.

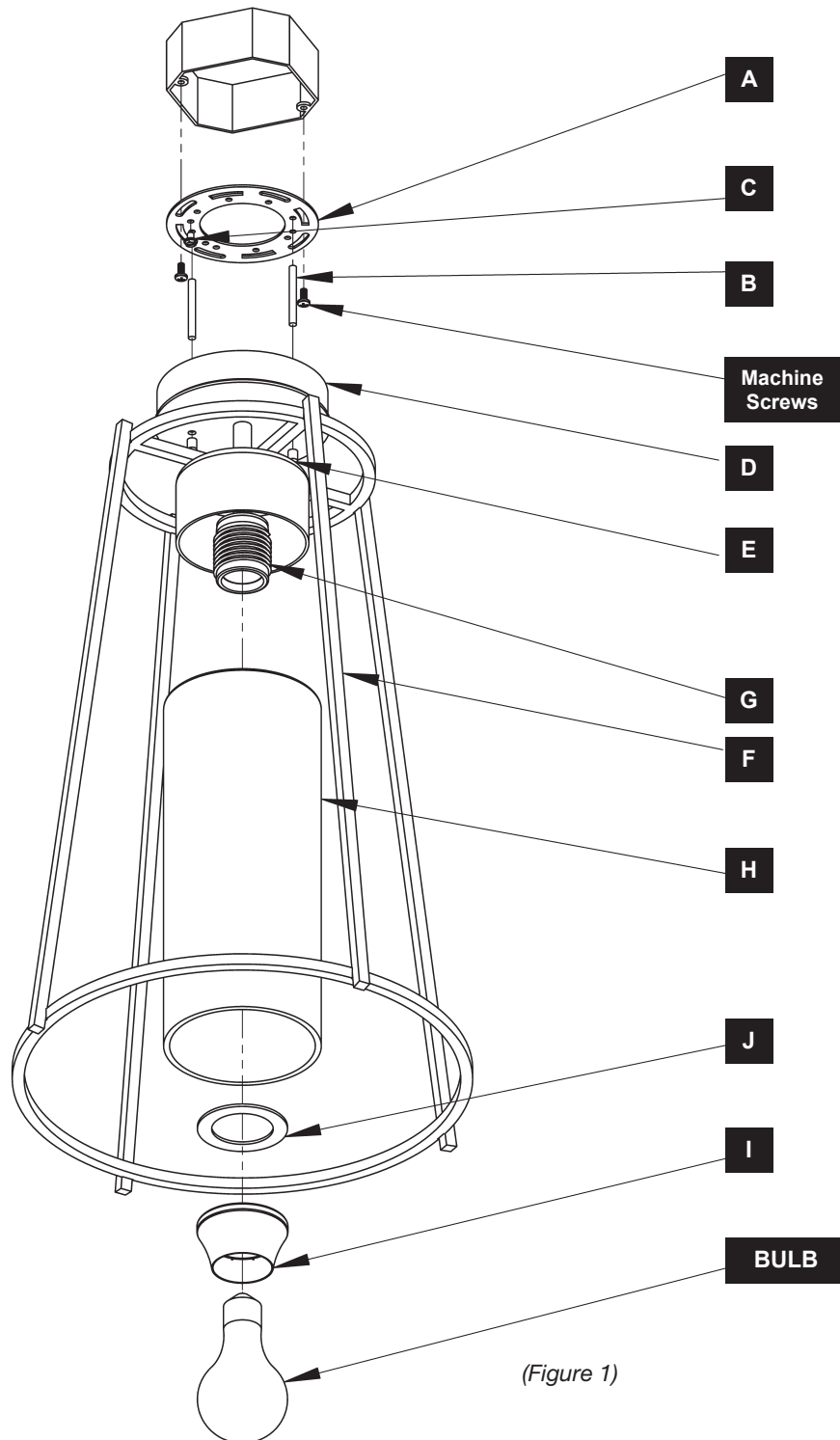
CAUTION: BE SURE NO WIRES ARE PINCHED BETWEEN THE CANOPY AND THE CEILING.

5. Retaining ring (I) is shipped installed on socket (G). Remove retaining ring.
6. Slip glass (H) over socket (G). Slip on washer (J) and secure with retaining ring (I).
7. Install bulb (not included) into socket (G).
8. Restore electricity at main breaker.

ASSEMBLY & INSTALLATION INSTRUCTIONS

A574

Loft Outdoor Semi-Flush 363025



If you need further assistance, or find that you are missing any parts, please contact the dealer from which you purchased this product. We hope you enjoy your fixture!

*** Hubbardton Forge will not be liable for injury or damage caused by improper installation, lamping or use of this fixture.**