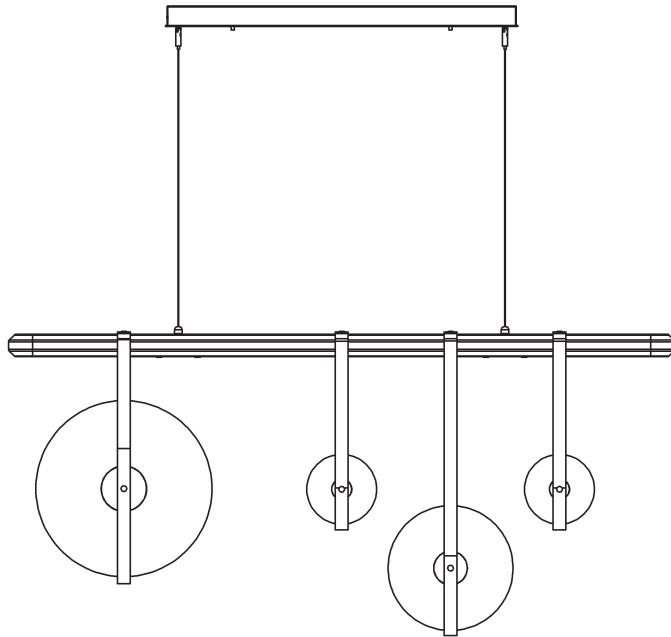


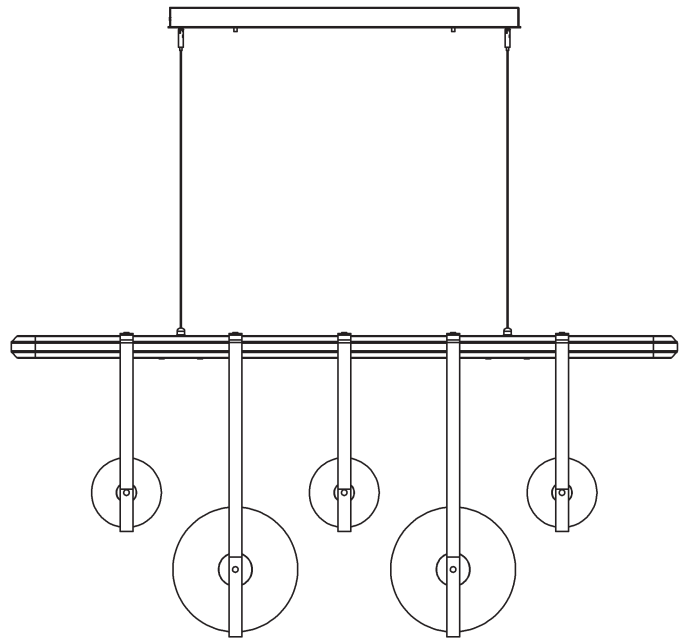
ASSEMBLY & INSTALLATION INSTRUCTIONS

A678

Derby Linear Pendant, 4-Light 131043, and 5-Light 131046



131043
(Shown in Instructions)



131046



HUBBARDTON FORGE.

MODERN AMERICAN BLACKSMITHS | FINE, HAND CRAFTED LIGHTING
CASTLETON, VERMONT USA | HUBBARDTONFORGE.COM

46781 Rev B

1 OF 7

Component Parts

- A Knob (2)**
- B Canopy Cover Plate**
- C Canopy**
- D Stud (2)**
- E Gripper (2)**
- F Supply/Support Cable (2)**
- G Wood Bar**
- H Thumb Screw**
- I Short Leather Strap**
- J Long Leather Strap**
- K Glass Globe**
- L Ball Nut**
- M Endcap (2)**
- N Inner Glass Tube**
- O Glass Globe Large (131043 Only)**
- P Glass Stud**
- Q Bushing**
- R Glass Globe Medium**
- S Large Endcap (131043 Only)**



Derby Linear Pendant, 4-Light 131043, and 5-Light 131046

CAUTION: FAILURE TO INSTALL THIS FIXTURE PROPERLY MAY RESULT IN SERIOUS PERSONAL INJURY OR DEATH AND PROPERTY DAMAGE. We recommend installation by a licensed electrician. This product must be installed in accordance with applicable installation code(s), by a person familiar with the construction and operation of the product and the hazards involved.*

Please Note: After installation extra hardware and accessories are possible due to our kits are used on multiple products and options.

To Install Canopy (Figures 1, 2)

CAUTION: BE SURE POWER IS OFF AT THE MAIN BREAKER BOX PRIOR TO INSTALLATION.

1. Carefully unpack fixture from the carton.
2. Unscrew knobs (A) and remove canopy cover plate (B). Set parts aside.
3. Pull wires from electric box through canopy (C). Using two machine screws (not provided), fasten canopy (C) to the electric box.

Note: A new electric box comes with screws. When replacing a fixture, retain the existing screws for use with the new fixture.

4. Using suitable wire connectors (not provided) connect driver wires to supply wires (white to white and black to black). Connect all ground wires (bare copper or green to bare copper or green).

CAUTION: MAKE SURE WIRE CONNECTORS ARE TWISTED ON SECURELY AND NO BARE WIRE IS EXPOSED.

5. Attach canopy cover plate (B) to canopy (C) with knobs (A) and studs (D).

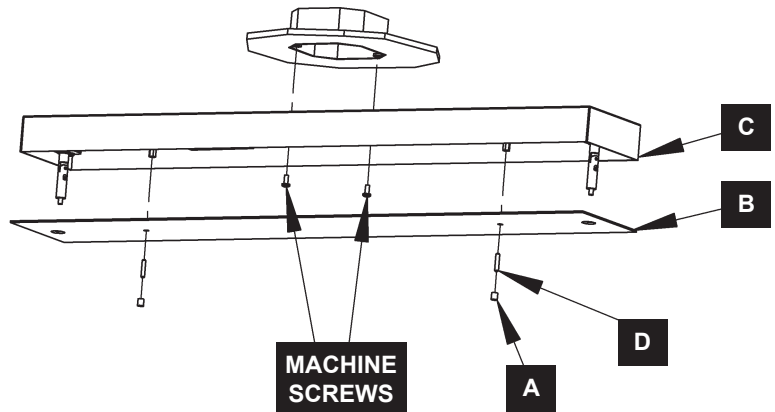
CAUTION: BE SURE NO WIRES ARE PINCHED BETWEEN THE COVER PLATE AND THE CANOPY.

6. Locate wood bar (G), align (+) supply/support cable (F) with (+) gripper (E). Feed supply/support cables (F) through gripper (E) on canopy (C) until the cable sticks through the slot in the side of gripper (E).
7. Raise fixture to desired hang height.
8. Once desired fixture height is achieved, cut excess cable (F) as close to gripper (E) as possible.

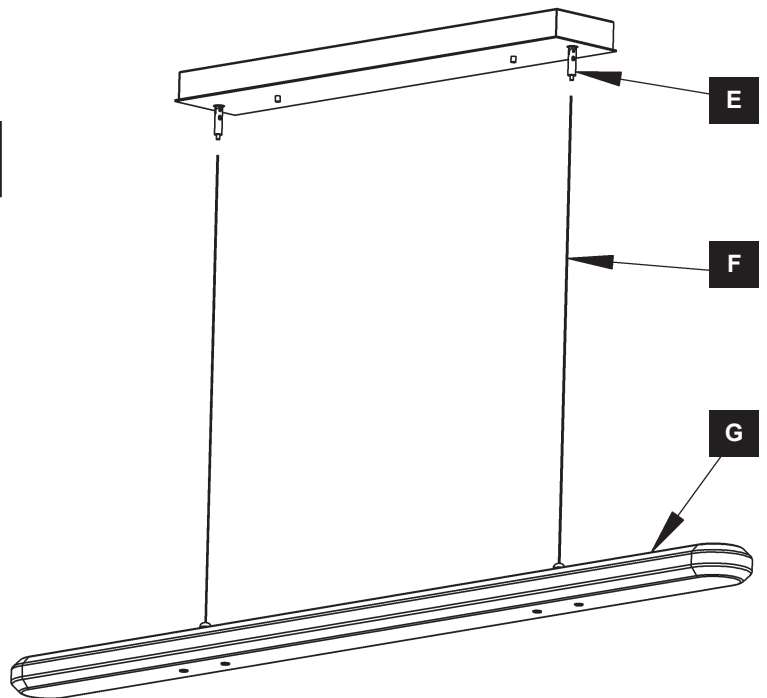
CAUTION: ONCE EXCESS CABLE IS CUT, FIXTURE CANNOT BE LOWERED.

CAUTION: BE SURE NO PIECE OF THE SUPPORT CABLE IS TOUCHING THE FIXTURE.

9. Follow steps on next page to complete installation.



(Figure 1)

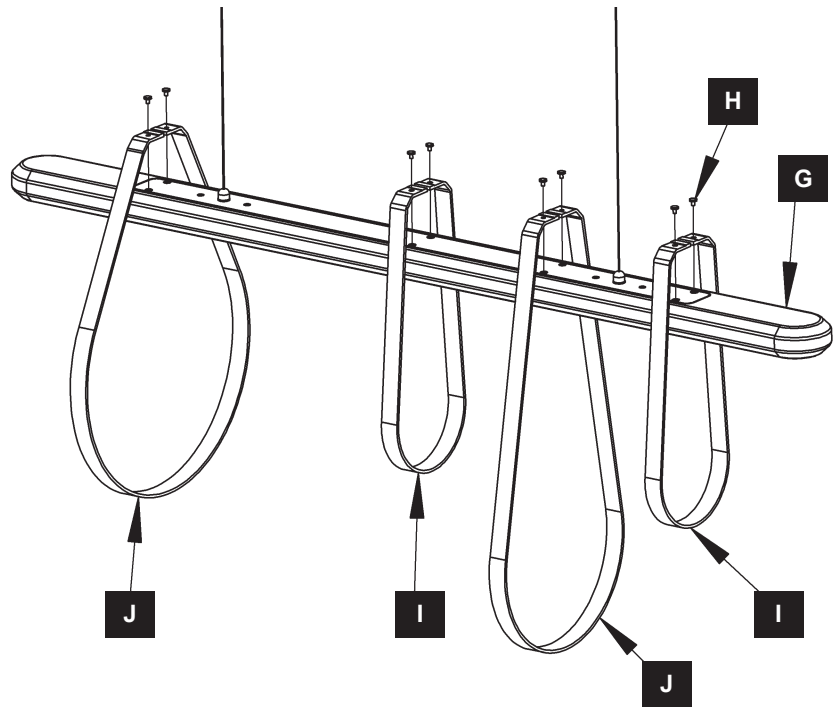


(Figure 2)

Derby Linear Pendant, 4-Light 131043, and 5-Light 131046

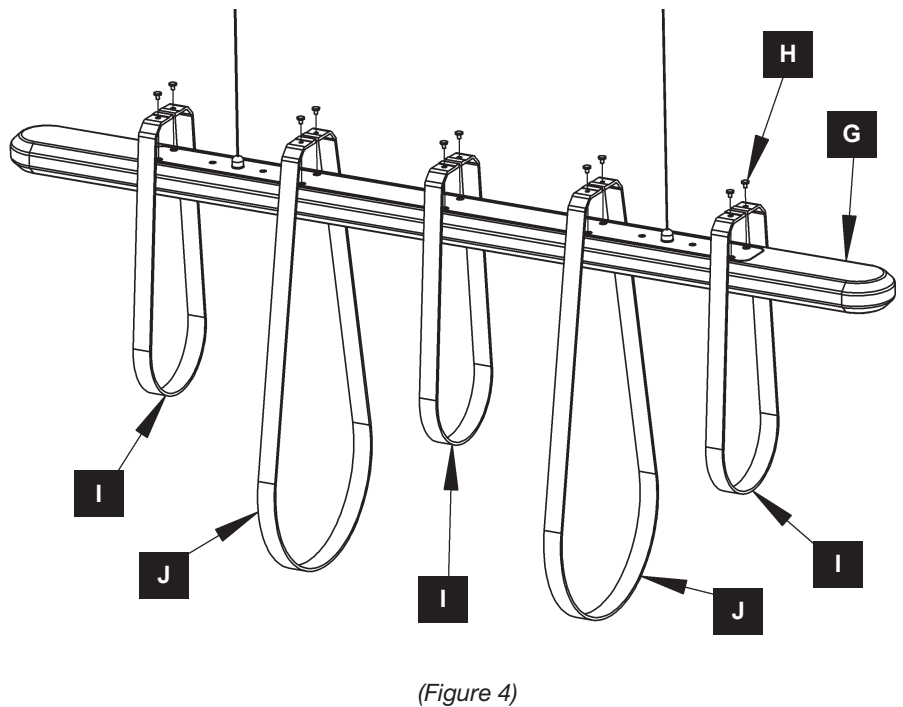
To Install Straps, 4 Light (Figure 3)

1. Locate remaining parts. Attach leather straps (I,J) to wood bar (G) using thumb screws (H) as shown. (Figure 3)



To Install Straps, 5 Light (Figure 4)

1. Locate remaining parts. Attach leather straps (I,J) to wood bar (G) using thumb screws (H) as shown. (Figure 4)



Derby Linear Pendant, 4-Light 131043, and 5-Light 131046

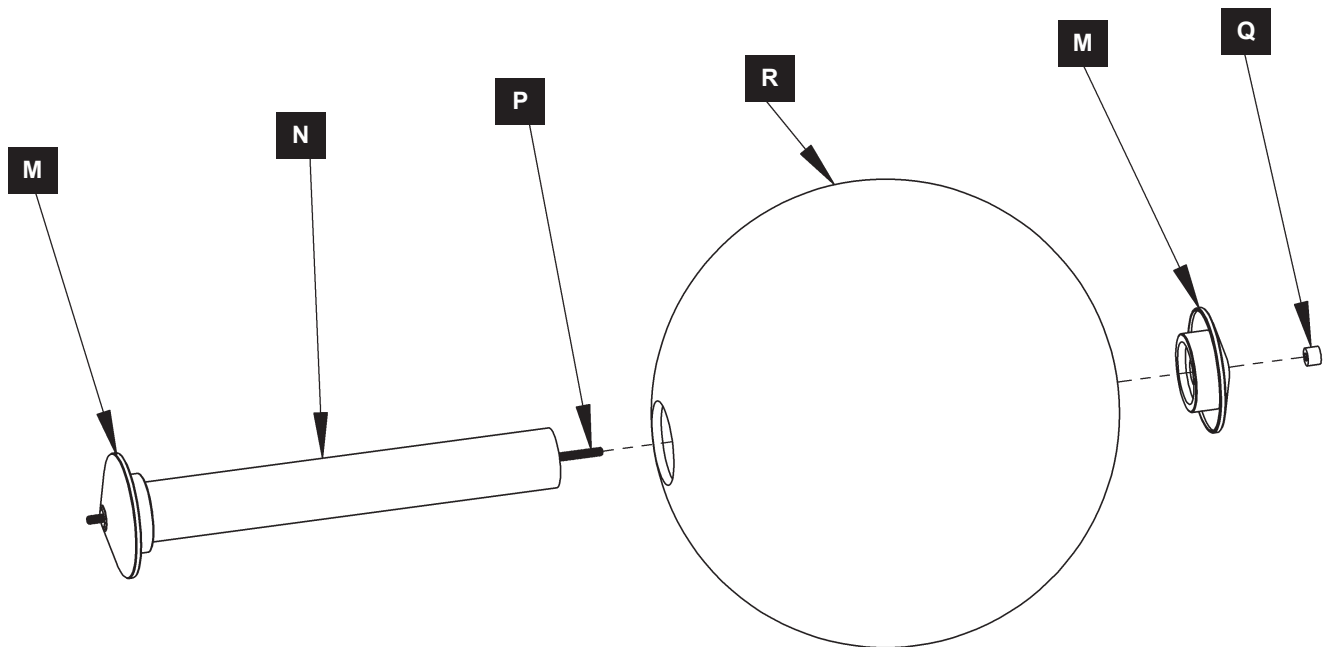
To Assemble Medium Globes (Figure 5)

1. Carefully unpack parts and glass.
2. Both endcaps (M) are shipped installed on inner glass tube (N). Remove one endcap (M).
3. Slide medium glass globe (R) over inner glass tube (N) until it rests on endcap (M).
4. Thread remaining endcap (M) onto stud (P) until it is snug against the glass.

Note: Be careful not to overtighten as this could break the glass.

5. Thread bushing (Q) onto stud (P) to secure parts.

CAUTION: IT IS THE RESPONSIBILITY OF THE INSTALLER TO SECURE GLASS GLOBE PER INSTRUCTIONS. FAILURE TO DO SO WOULD IMPLY THE RISK OF PERSONAL INJURY.



(Figure 5)

Derby Linear Pendant, 4-Light 131043, and 5-Light 131046

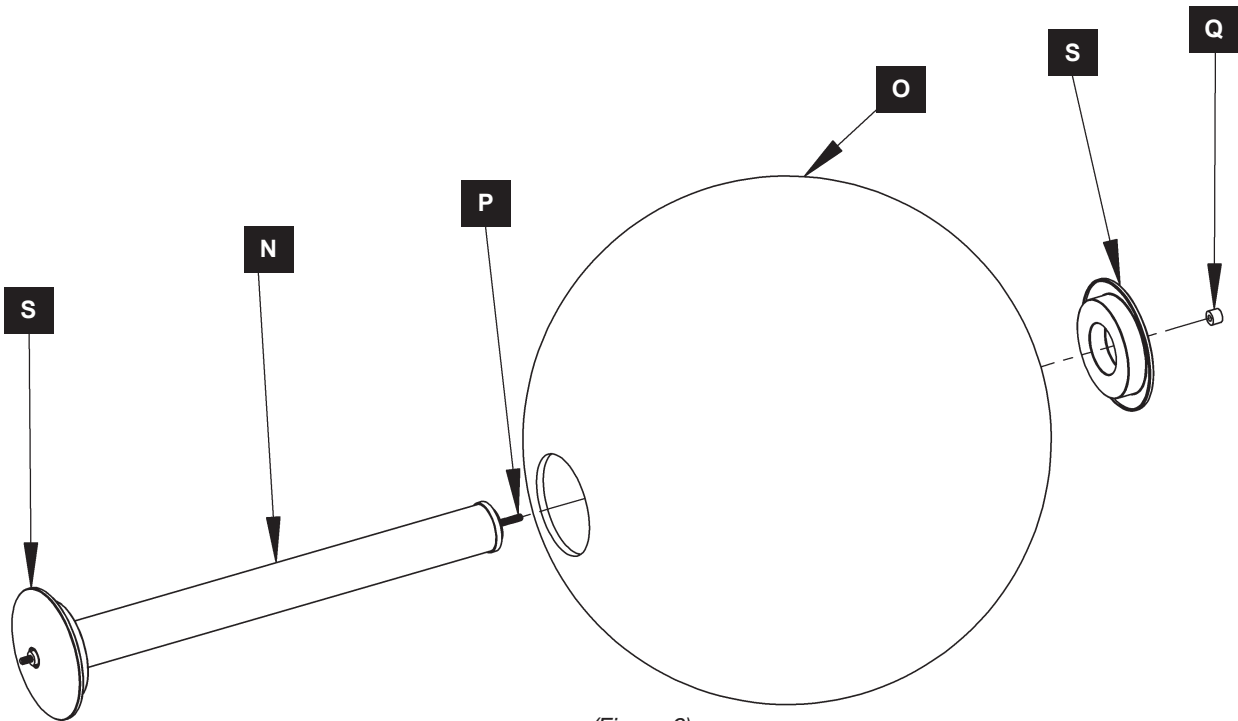
To Assemble Large Globe - 131043 Only (Figure 6)

1. Carefully unpack parts and glass.
2. Slide large glass globe (O) over inner glass tube (N) until it rests on large endcap (S).
3. Thread remaining large endcap (S), found in kit bag, onto stud (P) until it is snug against the glass.

Note: Be careful not to overtighten as this could break the glass.

4. Thread bushing (Q) onto stud (P) to secure parts.

CAUTION: IT IS THE RESPONSIBILITY OF THE INSTALLER TO SECURE GLASS GLOBE PER INSTRUCTIONS. FAILURE TO DO SO WOULD IMPLY THE RISK OF PERSONAL INJURY.



(Figure 6)



ASSEMBLY & INSTALLATION INSTRUCTIONS

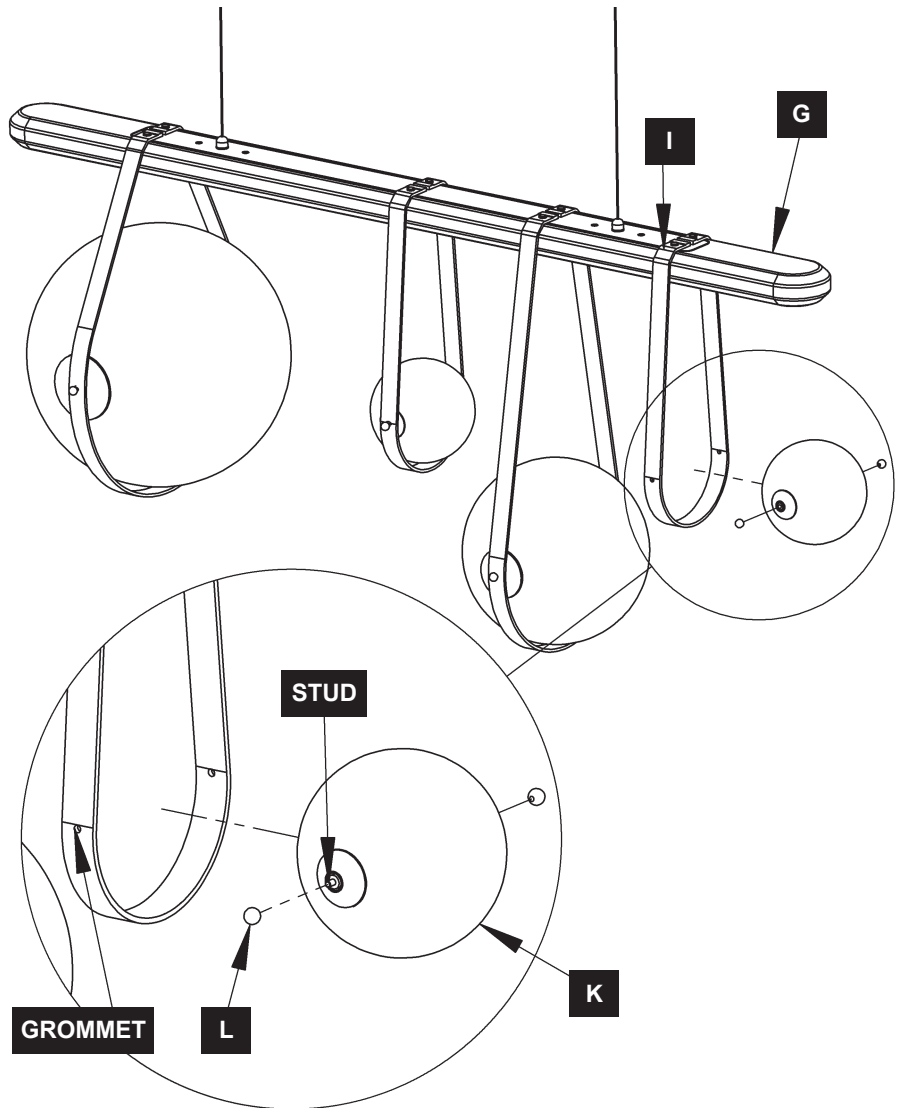
A678

Derby Linear Pendant, 4-Light 131043, and 5-Light 131046

To Install Globes (Figure 7)

1. Carefully unpack small glass globes (K).
 2. Note the orientation of (+) and (-) ends on the globe. The straps (I,J) will have a (+) and (-) side based on the labels on wood bar (G).
 3. Line up (+) side of globe with (+) side of strap. Insert stud on one end of glass globe (K) into grommet. Wrap strap around globe. Insert stud on opposite side of glass globe (K) into remaining grommet on strap.
- Note:** If the strap is too tight around glass, try rotating glass globe (K) and repeating step 3.
4. Secure glass globe (K) to leather strap (I,J) with ball nuts (L).
 5. Repeat steps 1-4 for remaining glass globes (K, O, R). Refer to the image on the front page of these instructions for orientation.

CAUTION: IT IS THE RESPONSIBILITY OF THE INSTALLER TO SECURE GLASS GLOBES PER INSTRUCTIONS. FAILURE TO DO SO WOULD IMPLY THE RISK OF PERSONAL INJURY.



(Figure 7)

6. Restore electricity at main breaker.

Leather Care

1. Turn off electricity at main breaker.
2. Wipe leather surface with a damp cloth to even out any abrasions or stains. Do not spot rub, for it will darken only that area. Occasional use of Aniline Leather Cleaner, Conditioner & Protector or Aniline Leather Maintenance Kit is recommended. Other leather cleaners such as saddle soap or household cleaners that may contain harsh chemicals, alcohol or ink removers should never be used.
3. Restore electricity at main breaker.

If you need further assistance, or find that you are missing any parts, please contact the dealer from which you purchased this product. We hope you enjoy your fixture!

**Hubbardton Forge will not be liable for injury or damage caused by improper installation, lamping or use of this fixture.*



HUBBARDTON FORGE.

MODERN AMERICAN BLACKSMITHS | FINE, HAND CRAFTED LIGHTING
CASTLETON, VERMONT USA | HUBBARDTONFORGE.COM

46781 Rev B

7 OF 7