

Installation Instructions

For After Hours Wall Sconce 30-7880F

B144

Page 1 of 2

CAUTION: FAILURE TO INSTALL THIS FIXTURE PROPERLY MAY RESULT IN SERIOUS PERSONAL INJURY OR DEATH AND PROPERTY DAMAGE. We recommend installation by a licensed electrician.

This product must be installed in accordance with applicable installation code(s), by a person familiar with the construction and operation of the product and the hazards involved.*

Caution: Do not exceed maximum wattage noted on fixture. Use only recommended bulbs with fixture.

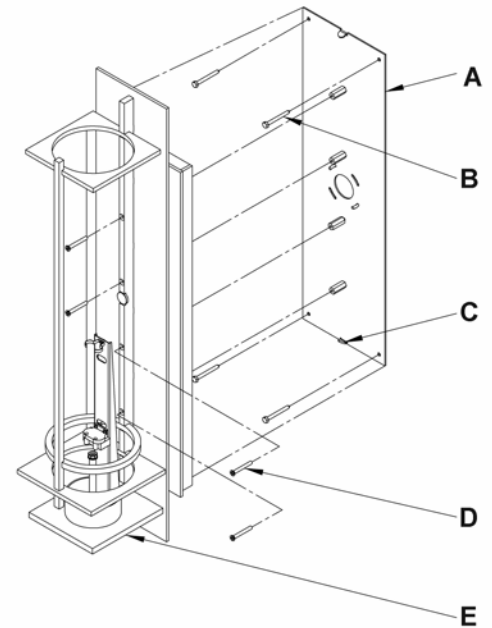
To Install Fixture to Wall (Figures 1, 2 & 3)

Component Parts

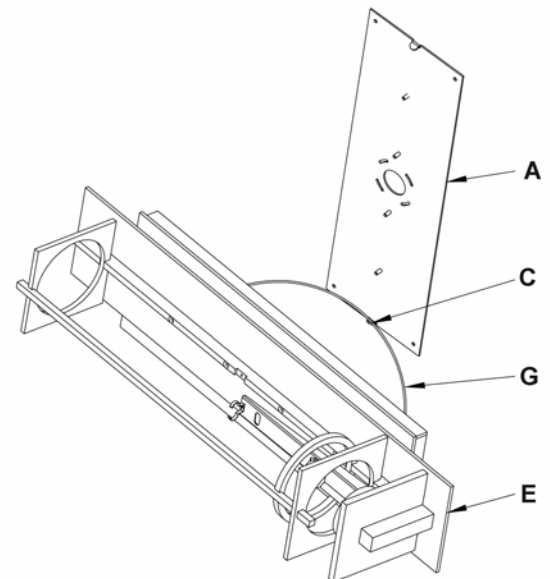
- A Mounting Bracket
- B Lag Screw (4)
- C Hang Support
- D Flat Head Screw (4)
- E Fixture Assembly
- F Caulking Lip
- G Steel Cable

Caution: Be sure power is off at the main breaker box prior to installation.

1. Carefully unpack the fixture from the carton.
2. Remove mounting bracket (A) from fixture assembly (E) by removing four flat head screws (D). Save all parts for later use.
3. Center the wall mount bracket (A) over the electrical box being sure to hold it plum and level. With a pencil, mark the location of all mounting holes in the wall mount bracket on the wall behind. We've supplied lag screws with your fixture; however, different materials and/or construction methods may require different fasteners. If in doubt, contact a qualified electrician.
IMPORTANT: This fixture must be mounted or supported independently of an outlet box.
4. Thread the wires in the electrical box through the center hole in the wall mount bracket while moving the bracket into position. Using the lag screws (B), screw the bracket securely to the wall.
5. Hold the fixture assembly (E) close to the wall mount bracket and hang attached steel cable on the hang support (C) to help support fixture during wiring (Figure 2). Using suitable wire connectors (not provided), connect fixture wires to supply wires (white to white or ribbed and black to black or smooth, and bare copper or green to bare copper or green).
Caution: Make sure wire connectors are twisted on securely and no bare wires are exposed.
4. Apply a generous bead of a suitable caulking material to caulking lip (F) on the fixture (Figure 3, next page).
5. Carefully tuck all wires and steel cable behind the fixture assembly (E), place fixture firmly against the wall and fasten with flat head screws (D). To ensure a water tight seal, apply a thin bead of caulking around entire perimeter of the fixture.
6. Install light bulb.



(Figure 1)



(Figure 2)

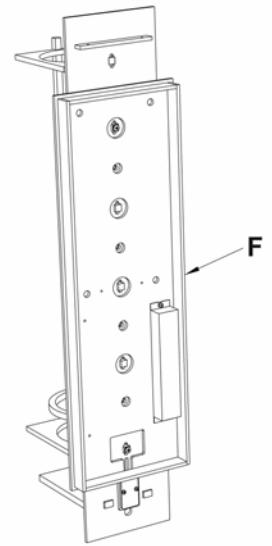
(continued)

Installation Instructions

For After Hours Wall Sconce 30-7880F

B144

Page 2 of 2



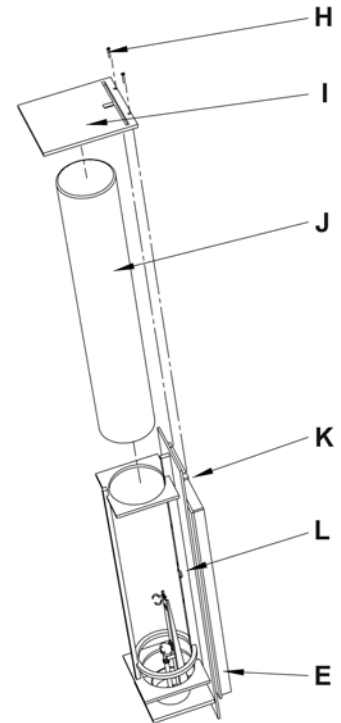
(Figure 3)

To Install Glass (Figure 4)

Component Parts

- E Fixture Assembly
- H 8-32 x 1" Screw (2)
- I Top Plate
- J Acrylic Tube
- K Bracket
- L Tension Knob

1. Slide acrylic tube (J) in to fixture assembly (E).
2. Slip top plate (I) on to fixture assembly (E) until it rests on top of acrylic tube (J).
3. Adjust tension knob (L) until it rests against the back side of the acrylic tube (J).
4. Slip 8-32 x 1" screw (H) through top plate (I) and thread in to bracket (K) and tighten (*be careful not to over tighten*).



(Figure 4)

If you need further assistance, or find that you are missing any parts, please contact the dealer from which you purchased this product. We hope you enjoy your fixture!

* Hubbardton Forge will not be liable for injury or damage caused by improper installation, lamping or use of this fixture.

HUBBARDTON FORGE®

Hand-Forged, Vermont-Made Lighting and Accessories
P.O. Box 827, 154 Route 30 South, Castleton, Vermont 05735

21222 Rev B