

Installation Instructions

B233

Forged Leaf and Stem Sconce 20-5770FL & 20-5770FR

Page 1 of 2

CAUTION: FAILURE TO INSTALL THIS FIXTURE PROPERLY MAY RESULT IN SERIOUS PERSONAL INJURY OR DEATH AND PROPERTY DAMAGE. We recommend installation by a licensed electrician.

This product must be installed in accordance with applicable installation code(s), by a person familiar with the construction and operation of the product and the hazards involved.*

Caution: Do not exceed maximum wattage noted on fixture. Use only recommended bulbs with fixture.

Caution: This fixture is designed to be mounted on a standard wall surface and may not be suitable for all applications. If installing in a non-wood frame application, we recommend consulting a qualified builder or electrician.

Please Note: The hardware provided is intended for use in wood frame construction and may not be suitable for all applications. If installing in non-wood frame applications, please consult a qualified builder to determine and obtain the appropriate fasteners.

To Install Fixture (Figure 1)

Component Parts

- A Cross Head Machine Screws (2) (Provided)
- B Back plate
- C Crossbar
- D Ground Screw

Caution: Be sure power is off at the main breaker box prior to installation.

1. Carefully unpack the fixture from the carton.
2. Using two machine screws (not provided), fasten the crossbar (C) to the electric box (see illustration), making sure that fixture mounting holes are level. **Note:** A new electric box comes with screws. When replacing a fixture, retain the existing screws for use with the new fixture.
3. Using suitable wire connectors (not provided) connect fixture wires to supply wires (white to white and black to black). If the fixture is wired with twin lead lamp cord, connect white to ribbed side of the fixtures cord, black to smooth side. Run a pigtail lead from crossbar ground screw (D) to the junction box and connect all ground wires (bare copper or green to bare copper or green).
Caution: Make sure wire connectors are twisted on securely, and no bare wire is exposed.
4. Once wires are connected securely line up holes in back plate with the threaded holes in the crossbar. Thread in the two cross head machine screws provided until back plate is secured against wall. Make sure no wires are pinched between back plate and wall.
5. Install light bulb (*not provided*).
6. Install acrylic (see instructions below).

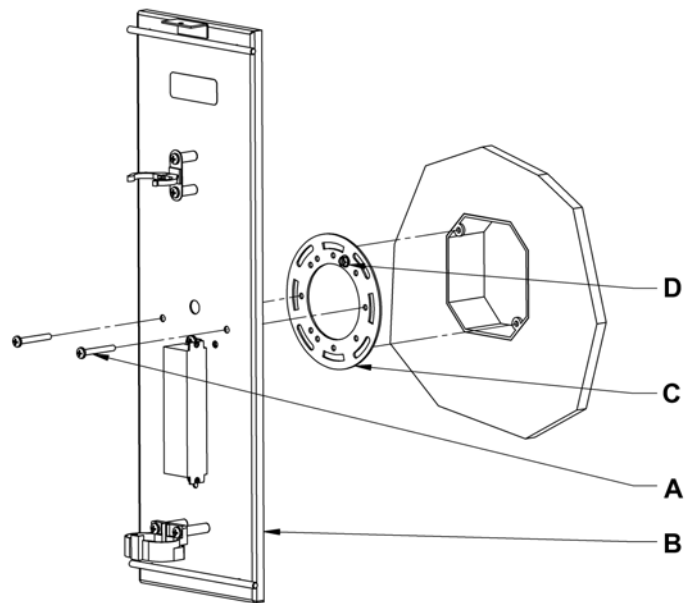


Figure 1

(continued)

Installation Instructions

Forged Leaf and Stem Sconce 20-5770FL & 20-5770FR

B233

Page 2 of 2

To Attach Decorative Assembly & Acrylic To Back plate (Figure 2)

Component Parts

- B Back Plate
- E Decorative Assembly
- F Acrylic

1. Decorative assembly (E) will be shipped already installed to acrylic (F).
2. Attach decorative assembly (E) and acrylic (F) to back plate (B) by spreading the acrylic (F) apart wide enough to insert the holes in the acrylic (F) over the two welded rods.

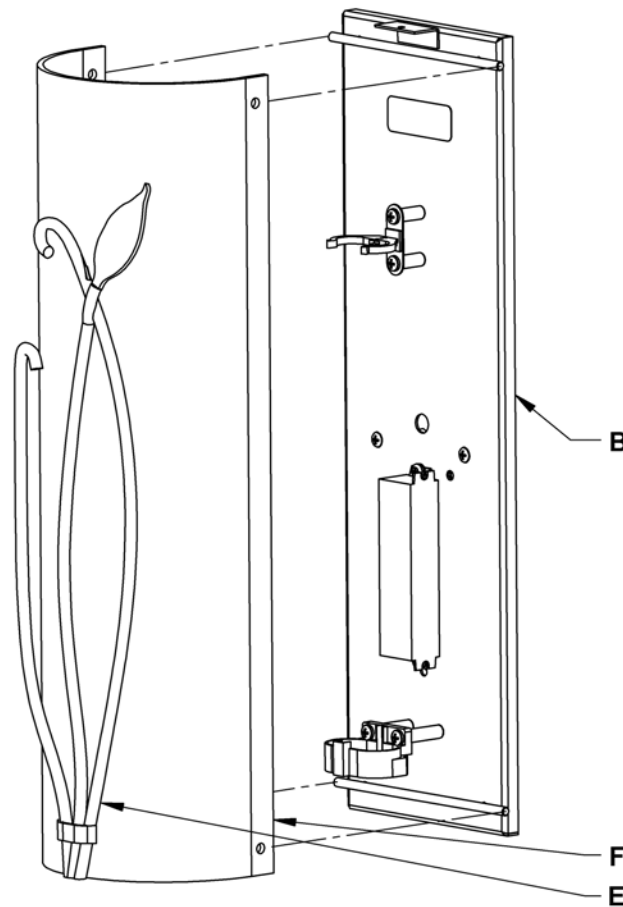


Figure 2

If you need further assistance, or find that you are missing any parts, please contact the dealer from which you purchased this product. We hope you enjoy your fixture!

* Hubbardton Forge will not be liable for injury or damage caused by improper installation, lamping or use of this fixture.