

Installation Instructions

B271

Ethos Sconce 308010D & 308015D

Page 1 of 2

CAUTION: FAILURE TO INSTALL THIS FIXTURE PROPERLY MAY RESULT IN SERIOUS PERSONAL INJURY OR DEATH AND PROPERTY DAMAGE. We recommend installation by a licensed electrician.

This product must be installed in accordance with applicable installation code(s), by a person familiar with the construction and operation of the product and the hazards involved.*

Caution: Do not exceed maximum wattage noted on fixture. Use only recommended bulbs with fixture.

Please Note: This fixture is designed to be mounted on a standard wall surface and may not be suitable for all applications. If installing in a non-wood frame application, we recommend consulting a qualified builder or electrician.

To Mount Fixture to Wall (Figures 1 & 2)

Component Parts

- A Fixture Assembly
- B Wall Mount Bracket
- C Anchors (4)
- D #10 Screws (4)
- E #8 Black Screws (2)
- F Rubber Washer (2)
- G Green Ground Screw
- H Cupped Washer
- I Caulking Lip

Caution: Be sure power is off at the main breaker box prior to installation.

1. Carefully unpack the fixture from the carton.
2. Center the wall mount bracket (B) over the electrical box being sure to hold it plum and level. With a pencil, mark the location of all mounting holes in the wall mount bracket on the wall behind.

IMPORTANT: Wall mount bracket must be secured to a solidly mounted electrical box and/or a framing member in at least two locations. Do not depend on drywall anchors alone to support this fixture. If in doubt, contact a qualified electrician.

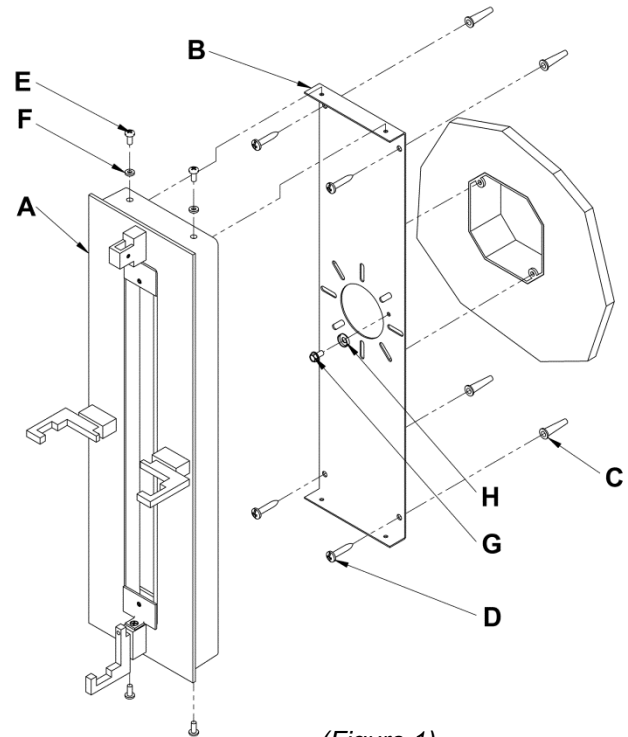
Put the wall mount bracket down and drill 1/4" holes in the locations marked on the wall. For holes using anchors, place the tapered end of the anchors (C) into the holes and gently tap them flush to the wall using a light weight hammer.

3. Thread the wires in the electrical box through the center hole in the wall mount bracket while moving the bracket into position. Using two machine screws (not provided), fasten the wall mount bracket (B) to the electric box making sure that the bracket is level. Using the #10 screws (D), screw the bracket securely to the wall. Be careful not to over-tighten or strip the anchors.

NOTE: A new electrical box comes with screws. When replacing a fixture, retain the existing screws for use with the new fixture.

4. Hold the fixture assembly (A) close to the wall mount bracket and using suitable wire connectors (not provided), connect fixture wires to supply wires (white to white or ribbed and black to black or smooth). Ground the mounting bracket using the green ground screw (G) and cupped washer (H) to secure a pigtail lead to the bracket and connect all ground wires (bare copper or green to bare copper or green).

Caution: Make sure wire connectors are twisted on securely, and no bare wires are exposed.



(Figure 1)

(continued)

Installation Instructions

Ethos Sconce 308010D & 308015D

B271

Page 2 of 2

5. Apply a generous bead of a suitable caulking material to caulking lip (I) on the fixture (not provided) (Figure 2).
6. Carefully tuck all wires behind the fixture assembly and inside the wall mount bracket and place the fixture firmly onto bracket (B) and fasten with #8 black screw (E) and rubber washer (F) on top.
7. Install 2nd black screw (E) in bottom of fixture attaching to wall mounting bracket (B).

To Install Glass (Figure 3)

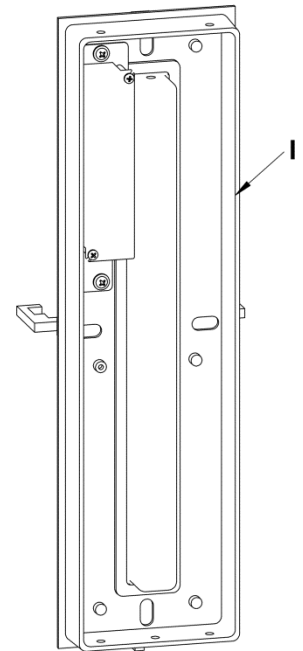
Component Parts

- A Fixture Assembly
- J Decorative Glass
- K Glass Diffuser
- L Top Bracket
- M Set Screw (3)
- N Plastic Bumper

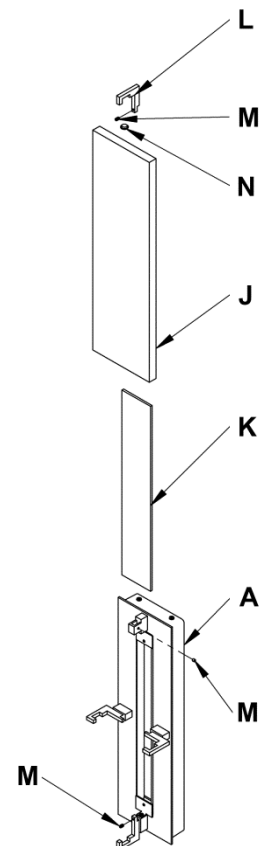
1. *Set Screws (M) are shipped installed in the fixture.* Prior to glass installation, ensure that all set screws (M) are unscrewed enough to allow installation of glass.
2. Slide glass diffuser (K) down into the fixture from the top. Diffuser should be seated in the bottom bracket.
3. Tighten set screw (M) in bottom bracket against glass diffuser (K). *Do not over tighten.*
4. If desired, the plastic bumper (N) can be adhered to the top of the decorative glass (J).
5. Slide decorative glass (J) down into the fixture from the top. Decorative glass should be seated in the bottom bracket.
6. Slide top bracket (L) into the fixture. Check fit between set screw (M) in top bracket (L) and glass diffuser (K). Adjust Set Screw as necessary to contact glass diffuser (K). *Note: Removal of Top Bracket is necessary to adjust Set Screw.* Once top bracket is seated in fixture, against the glass, tighten the set screw (M) in fixture (A) against top bracket (L).
7. Restore electricity at main breaker.

If you need further assistance, or find that you are missing any parts, please contact the dealer from which you purchased this product. We hope you enjoy your fixture!

* Hubbardton Forge will not be liable for injury or damage caused by improper installation, lamping or use of this fixture.



(Figure 2)



(Figure 3)