

Assembly & Installation Instructions

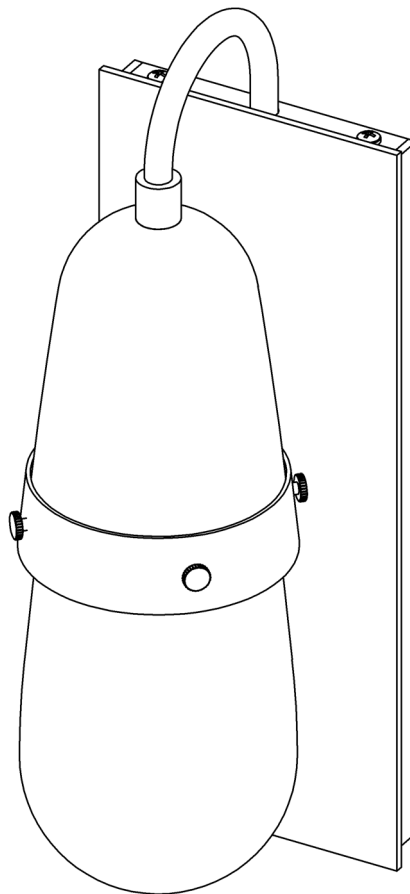
B359

Fizz Sconce - 207470

Page 1 of 4

CAUTION: FAILURE TO INSTALL THIS FIXTURE PROPERLY MAY RESULT IN SERIOUS PERSONAL INJURY OR DEATH AND PROPERTY DAMAGE. We recommend installation by a licensed electrician. This product must be installed in accordance with applicable installation code(s), by a person familiar with the construction and operation of the product and the hazards involved.* Caution: Do not exceed maximum wattage noted on fixture. Use only recommended bulbs with fixture.

Please Note: After installation extra hardware and accessories are possible due to our kits are used on multiple products and options.



Assembly & Installation Instructions

B359

Fizz Sconce - 207470

Page 2 of 4

Component Parts

A	Fixture
B	Mounting Bracket
C	Anchors (4)
D	#10 Screws (4)
E	Ground Screw
F	Cupped Washer
G	#8 Screws (4)
H	Socket
I	Fixture Cup
J	Glass
K	Knurled Screws (4)

Assembly & Installation Instructions

B359

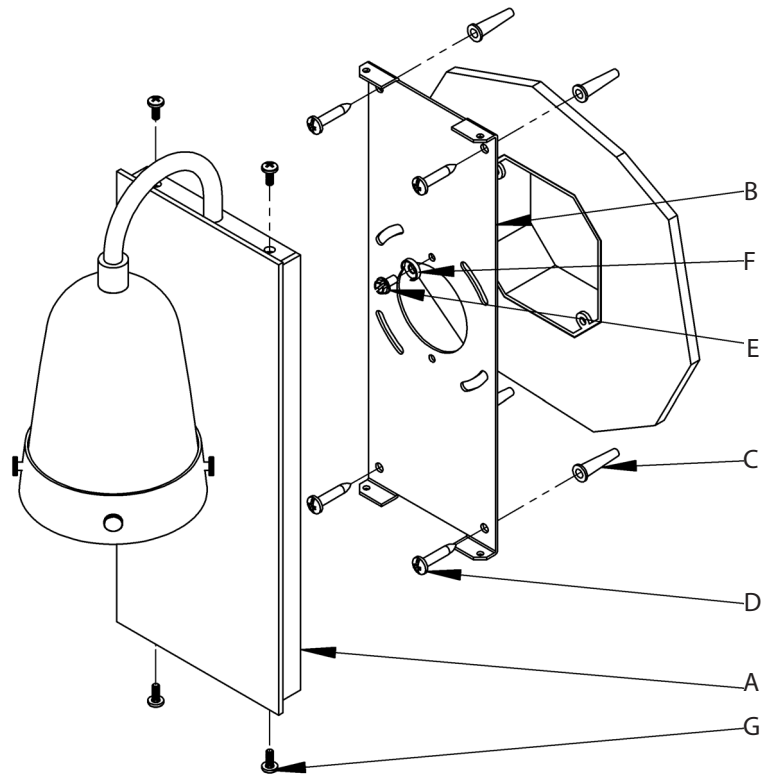
Fizz Sconce - 207470

Page 3 of 4

To Install Fixture (Figure 1)

CAUTION: BE SURE POWER IS OFF AT THE MAIN BREAKER BOX PRIOR TO INSTALLATION.

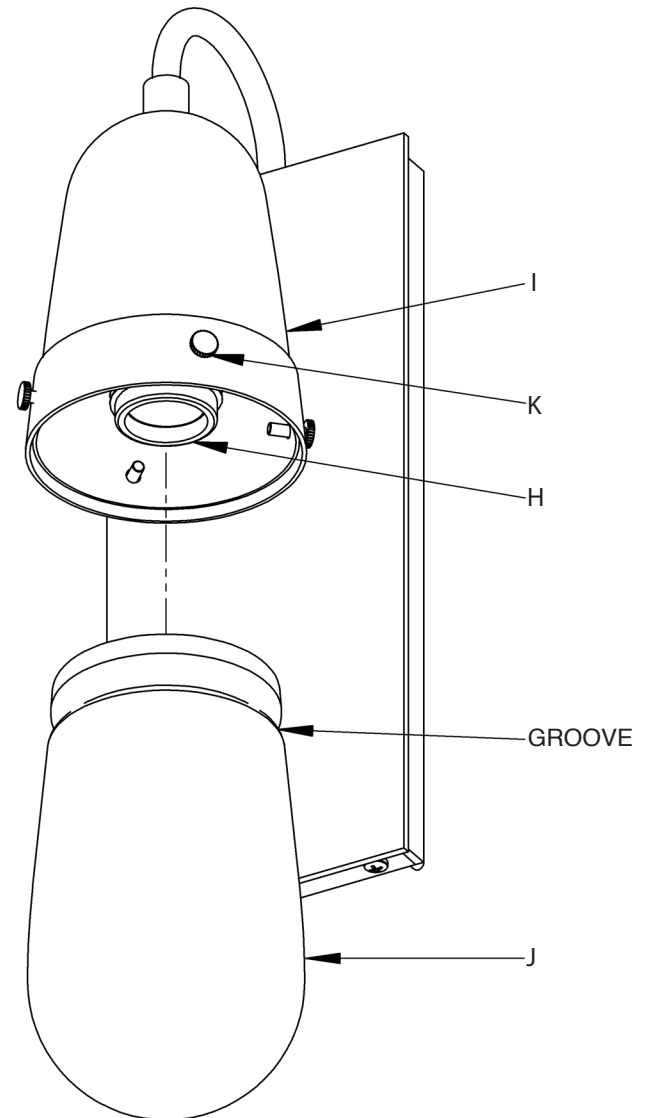
1. Carefully unpack the fixture from the carton.
2. Place the mounting bracket (B) over the electrical box being sure to hold it plumb and level. Line up holes in mounting bracket with holes in electrical box. With a pencil, mark the location of all mounting holes in the mounting bracket (B) on the wall behind. Set bracket aside.
3. Drill 1/4" holes in the locations marked on the wall. For holes using anchors (C), place the tapered end of the anchors (C) into the holes and gently tap them flush to the wall using a light weight hammer.
4. Thread the wires in the electrical box through the hole in the mounting bracket (B) while moving the plate into position. Using #10 screws (D), screw the mounting bracket (B) securely to the wall. Be careful not to over-tighten or strip the anchors (C).
5. Using two machine screws (not provided) fasten the mount bracket (B) to the electric box.
Note: A new electric box comes with screws. When replacing an existing fixture, retain screws for use with the new fixture.
6. Hold fixture (A) close to wall. Using suitable wire connectors (not provided) connect fixture wires to supply wires (white to white and black to black). Attach a pigtail lead to the mounting bracket (B) using the cupped washer (F) and ground screw (E) found in kit bag. Connect all ground wires (bare copper or green to bare copper or green).
Caution: Make sure wire connectors are twisted on securely, and no bare wires are exposed.
7. Carefully tuck all wires behind the fixture (A) and inside the mounting bracket (B). Place the fixture (A) firmly onto mounting bracket (B) and fasten with #8 screws (G) on top and bottom of fixture (A).



(Figure 1)

Install Glass (Figure 2)

1. Install bulb (not included) into socket (H).
2. Slide glass (J) over bulb and socket (H) and up into fixture cup (I).
3. Align groove in glass (J) with knurled screws (K).
Note: It might be necessary to unthread knurled screws (K) to allow glass to slide into fixture cup (I).
Screws (K) will not need to be completely removed.
4. Tighten knurled screws (K) evenly to secure glass (J).
Be sure not to overtighten.
5. Restore electricity at main breaker.



(Figure 2)

If you need further assistance, or find that you are missing any parts, please contact the dealer from which you purchased this product. We hope you enjoy your fixture!

**Hubbardton Forge will not be liable for injury or damage caused by improper installation, lamping or use of this fixture.*