

Glass Installation Instructions

B36

Please refer to fixture assembly and installation instructions prior to glass installation.

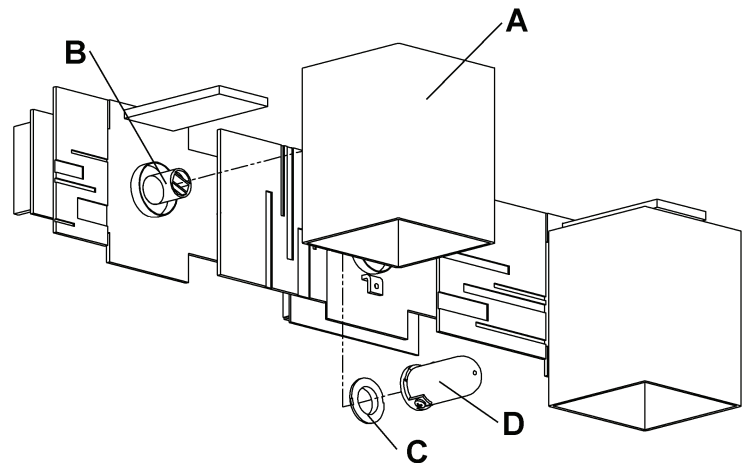
Component Parts

- A Glass
- B Socket
- C Retaining Ring
- D Protective Shield

To Install Glass

1. Remove Retaining Ring (C) and Protective Shield (D) from Socket (B).
2. Place Glass (A) over Socket, and secure with Retaining Ring (C).
3. Replace Protective Shield (D) by threading it onto socket far enough to remain in place. It is not necessary to thread the shield on as far as it will go.

CAUTION: Always keep Protective Shield in place while fixture is operating.



If you need further assistance, or find that you are missing any parts, please contact the dealer from which you purchased this product. We hope you enjoy your fixture!