

Glass Installation Instructions

B39

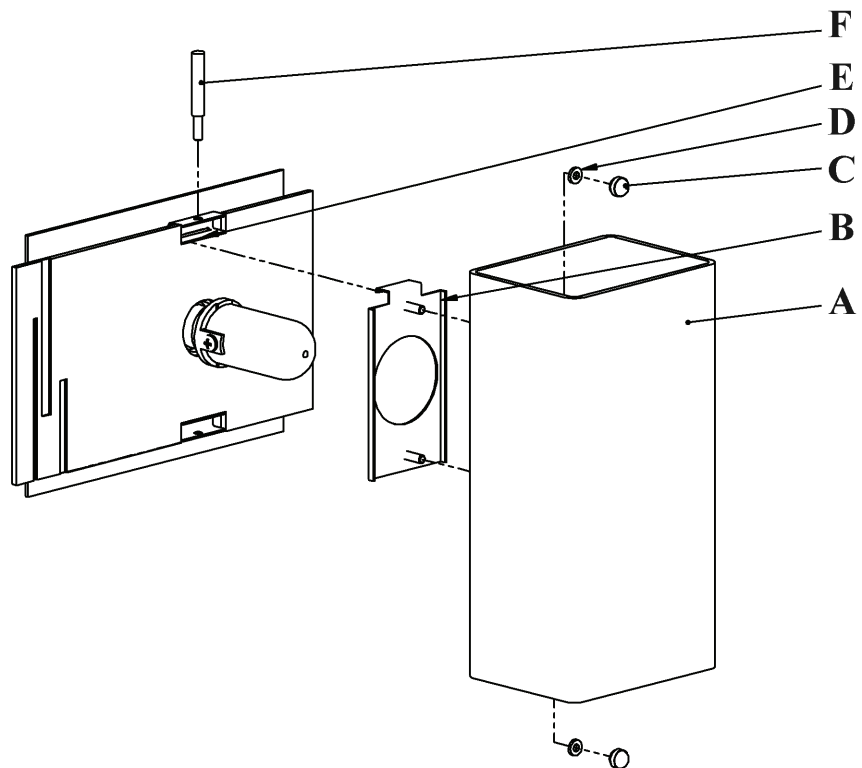
Please refer to fixture assembly and installation instructions prior to glass installation.

Component Parts

- A Glass
- B Bracket
- C Ball Nut
- D Washer
- E Receiving Slot
- F Retaining Stud

To Install Glass

1. Ensure that the sconce is installed with the textured panel oriented in the desired direction.
2. Install lamp (light bulb) and glass shield. For best appearance, screw glass shield onto socket until it is almost touching the bulb.
CAUTION: Do not touch lamp with bare hands.
3. Attach Glass (A) to Bracket (B) using Ball Nuts (C) and Washers (D) making sure the hook on the bracket is oriented toward the top of the glass (the shorter end). Do not over tighten the nuts.
4. Insert bracket hook into Receiving Slot of fixture (E) making sure the bracket fits into the notch in the back of the receiving slot. Note that only the top receiving slot is used.
5. Tighten Retaining Stud (F) to secure glass.



If you need further assistance, or find that you are missing any parts, please contact the dealer from which you purchased this product. We hope you enjoy your fixture!