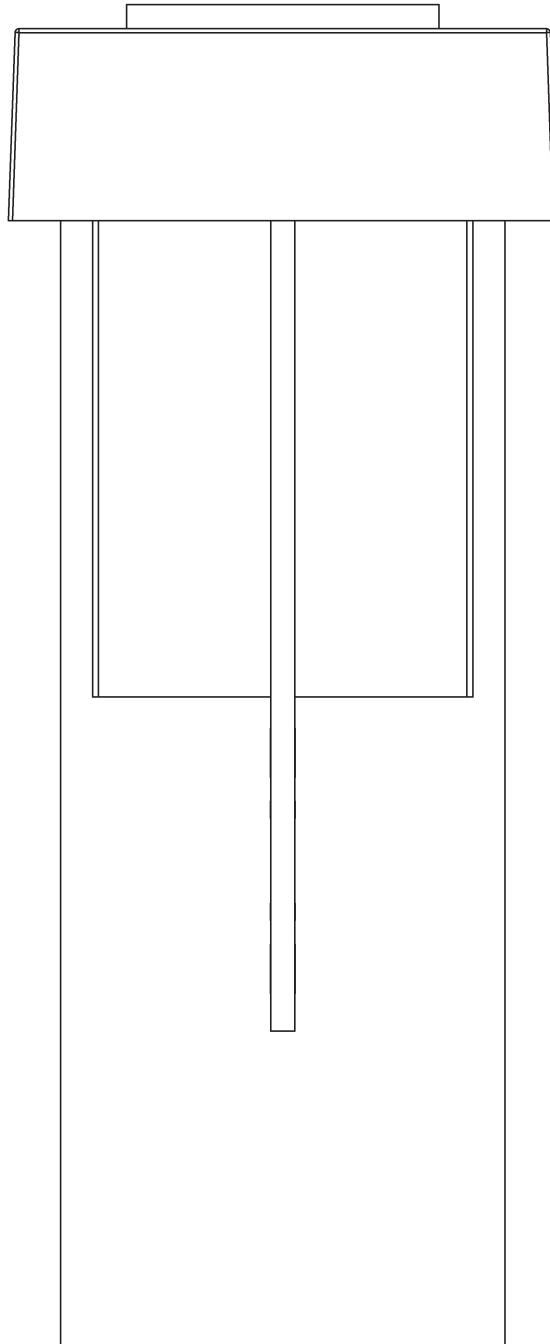


ASSEMBLY & INSTALLATION INSTRUCTIONS

B423

Shard Outdoor Sconce XL 302518



HUBBARDTON FORGE.

MODERN AMERICAN BLACKSMITHS | FINE, HAND CRAFTED LIGHTING
CASTLETON, VERMONT USA | HUBBARDTONFORGE.COM

Component Parts

- A. Fixture Assembly**
- B. Mounting Bracket**
- C. #8 Screws (4)**
- D. Rubber Washer (2)**
- E. Ground Screw**
- F. Cupped Washer**
- G. Caulking Lip**
- H. Plate Assembly**
- I. Plate Screws (2)**
- J. Glass**
- K. Set Screw (2)**



ASSEMBLY & INSTALLATION INSTRUCTIONS

B423

Shard Outdoor Sconce XL 302518

CAUTION: FAILURE TO INSTALL THIS FIXTURE PROPERLY MAY RESULT IN SERIOUS PERSONAL INJURY OR DEATH AND PROPERTY DAMAGE. We recommend installation by a licensed electrician. This product must be installed in accordance with applicable installation code(s), by a person familiar with the construction and operation of the product and the hazards involved.*

Caution: Do not exceed maximum wattage noted on fixture. Use only recommended bulbs with fixture.

Please Note: After installation extra hardware and accessories are possible; our kits are used on multiple products and options.

To Install Fixture (Figures 1, 2 & 3, following pages)

CAUTION: BE SURE POWER IS OFF AT THE MAIN BREAKER BOX PRIOR TO INSTALLATION.

1. Carefully unpack the fixture (A) from the carton.
2. Plate assembly (H) is shipped installed. Remove plate by removing the two plate screws (I) (Figure 1). Remove mounting bracket (B).
3. Using two machine screws (not provided) attach mounting bracket (B) to the electrical box (Figure 2).

Note: A new electric box comes with screws. When replacing a fixture, retain the existing screws for use with the new fixture.

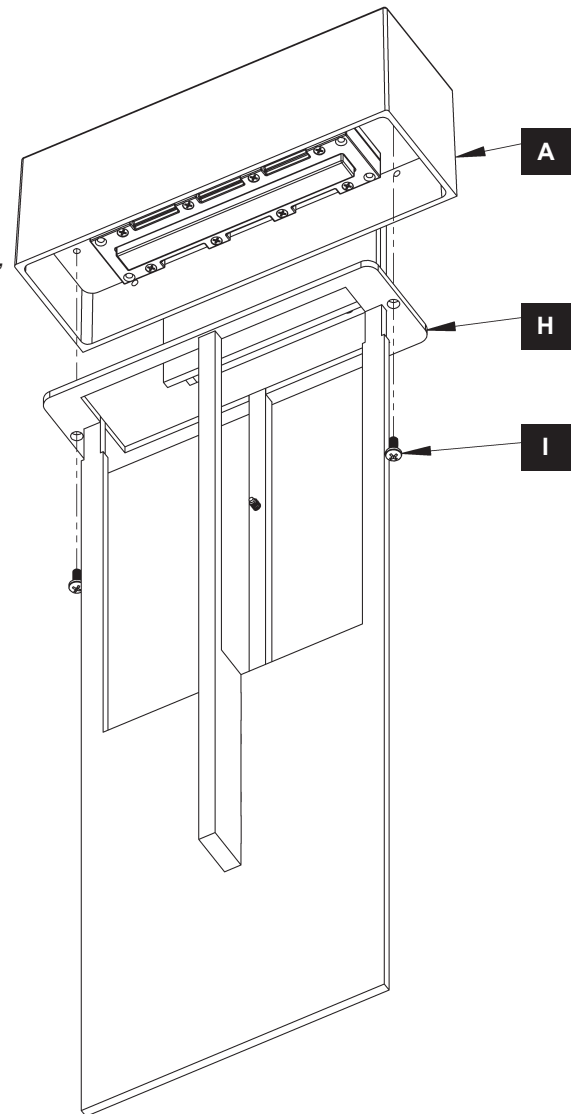
4. Using the ground screw (E) and the cupped washer (F) found in kit bag, secure a pigtail lead to the mounting bracket (B).
5. Hold the fixture (A) close to the mounting bracket (B) and using suitable wire connectors (not provided), connect fixture wires to supply wire (white to white and black to black). Connect all ground wires (bare copper or green to bare copper or green).

CAUTION: MAKE SURE WIRE CONNECTORS ARE TWISTED ON SECURELY AND NO BARE WIRES ARE EXPOSED.

6. Apply a generous bead of a suitable caulking material (not provided) to caulking lip (G) on the fixture. Caulk should be applied around the entire perimeter of the backplate (Figure 3).
7. Carefully tuck all wires behind fixture and inside the mounting bracket (B). Place fixture firmly onto bracket and fasten with two #8 screws (C) and rubber washers (D) on top.

Note: Be sure no wires are pinched between the wall and fixture.

8. Install the two #8 screws (C) in bottom of fixture.

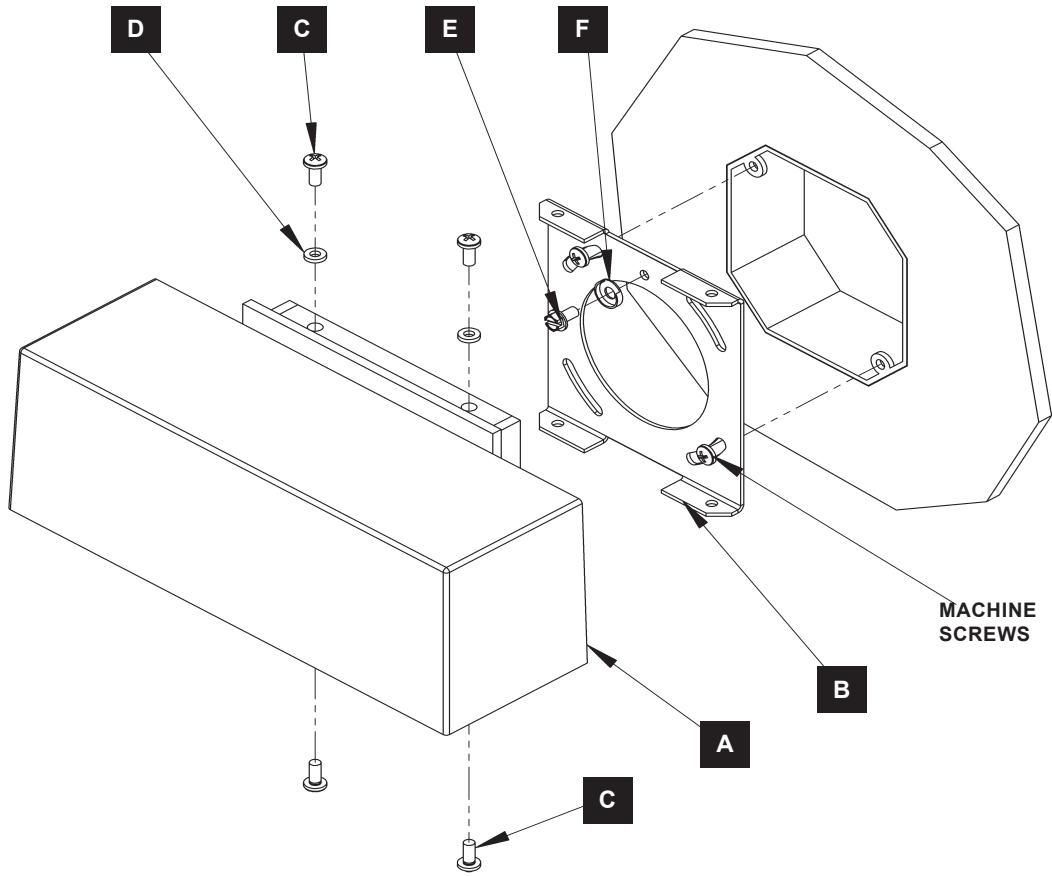


(Figure 1)

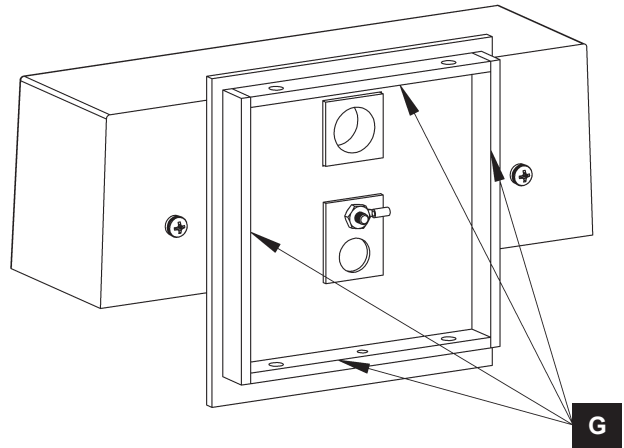
ASSEMBLY & INSTALLATION INSTRUCTIONS

B423

Shard Outdoor Sconce XL 302518



(Figure 2)



(Figure 3)



HUBBARDTON FORGE.

MODERN AMERICAN BLACKSMITHS | FINE, HAND CRAFTED LIGHTING
CASTLETON, VERMONT USA | HUBBARDTONFORGE.COM

Shard Outdoor Sconce XL 302518

To Complete Install *(Figures 4 & 5)*

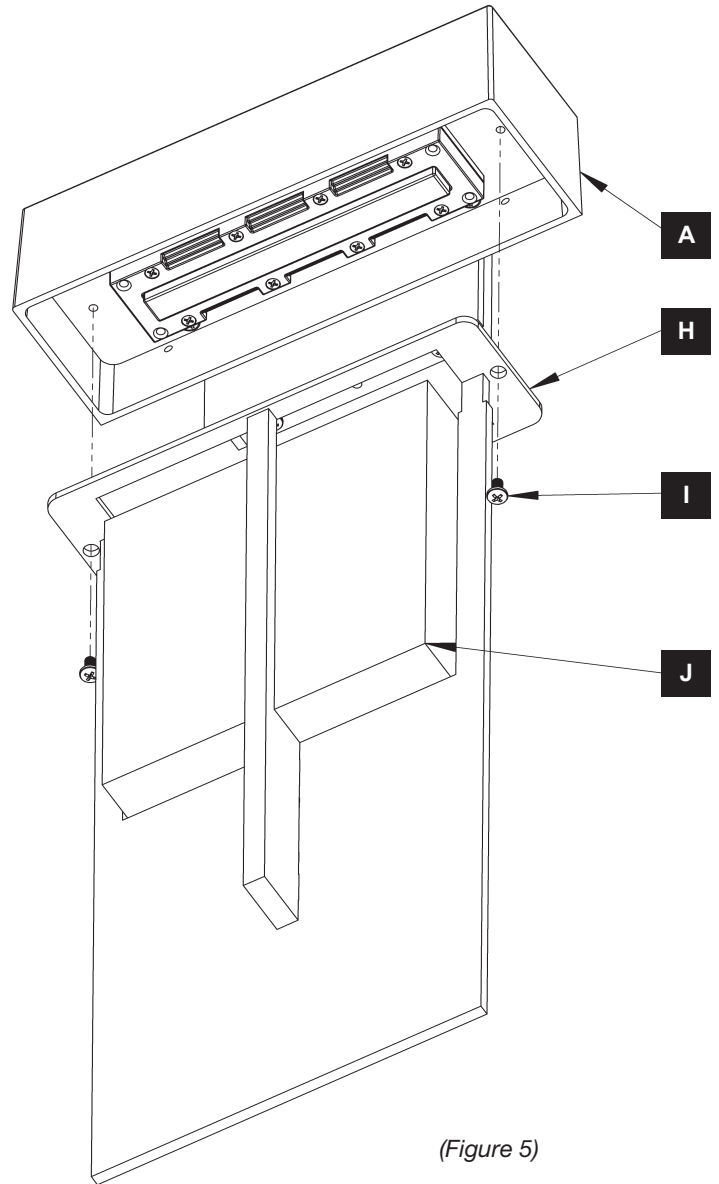
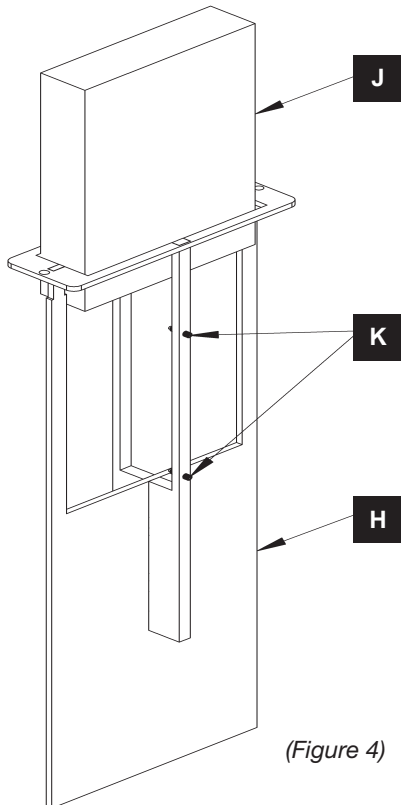
- Carefully slide glass (J) into plate assembly (H). The side of the glass (J) with different colored pieces should be facing the set screws (K).

Note: It may be necessary to back out set screws (K) before glass (J) can be dropped it. It is not necessary to completely remove set screws (K).

- Center glass (J) in plate assembly (H) and, using hex wrench (provided), tighten both set screws (K) until snug against glass (J). Be careful not to overtighten.
- Hold plate assembly (H) with glass (J) installed up to fixture assembly (A). Install two plate screws (I) to secure plate assembly (H).

Note: Set screws should be facing wall.

- Restore electricity at main breaker.



If you need further assistance, or find that you are missing any parts, please contact the dealer from which you purchased this product. We hope you enjoy your fixture!

*** Hubbardton Forge will not be liable for injury or damage caused by improper installation, lamping or use of this fixture.**