

Turn Knob Installation Instructions

C22

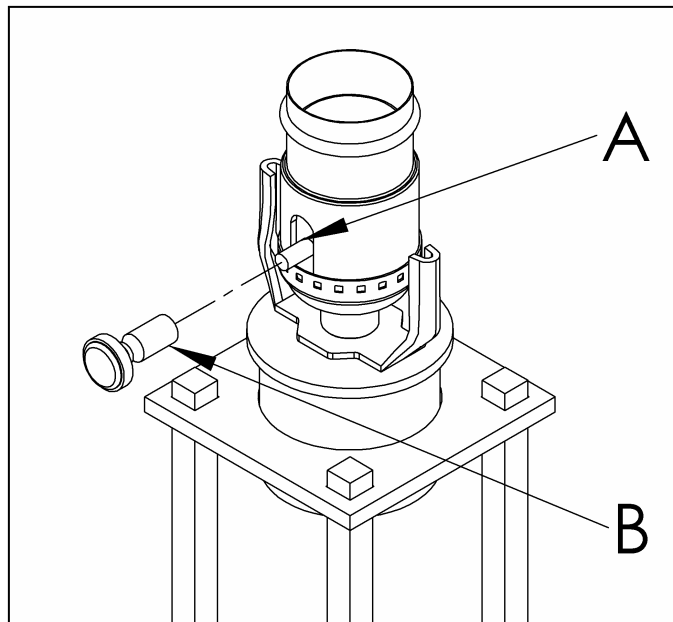
For Portable Lamps with Dimming Socket

To Install Knob

Component Parts

- A Dimming Socket
- B Turn Knob

1. Carefully unpack the fixture from the carton.
2. Remove turn knob (B) from instruction bag.
3. Push turn knob (B) onto socket (A) making sure to push straight on to avoid damage to the socket stem.
4. Push until turn knob (B) bottoms out.



This illustration represents a typical fixture and may not match every style.

If you need further assistance, or find that you are missing any parts, please contact the dealer from which you purchased this product. We hope you enjoy your fixture!