

# Glass Installation Instructions

Disq Floor Lamp 234510D

## **ETo Assemble base to upright** (Figure 1 & 2)

*Note: The assembly of this fixture requires 2 people. DO NOT ATTEMPT ASSEMBLY ALONE.*

### Component Parts

- A Upright Assembly
- B Base Assembly
- C Shade/Diffuser Assembly (not shown in Figure 1)
- N Allen Wrench
- O Socket Head Cap Screws (4)

1. Carefully unpack the lamp from the boxes. Do NOT remove plastic wrap from Shade/Diffuser Assembly (C) at this time.
2. Locate the upright assembly (A) and the base assembly (B). Place the base assembly (B) on the floor. Remove socket head cap screws (O)
3. Orient upright assembly (A) to base assembly (B) as shown in figure 2.
4. Slide the upright assembly (A) over the vertical bar on the base assembly (B) until the holes in the upright assembly (A) align with the tapped holes in the base assembly (B). Install 4 socket head cap screws (O) using hex wrench (N).

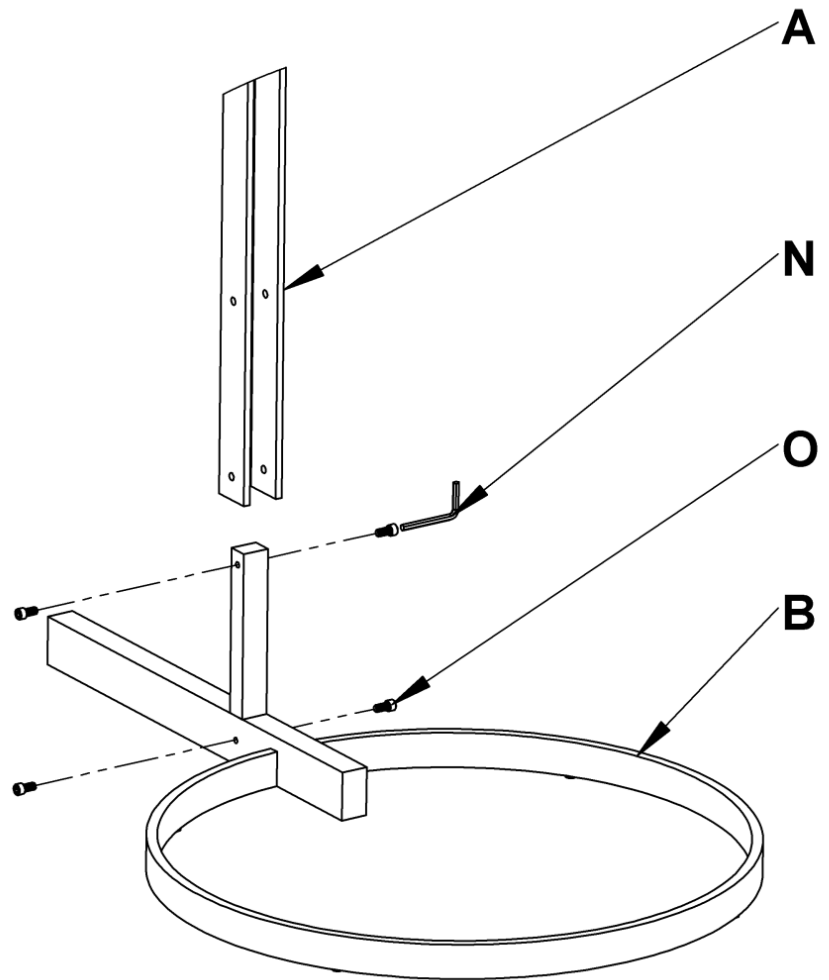


Figure 1

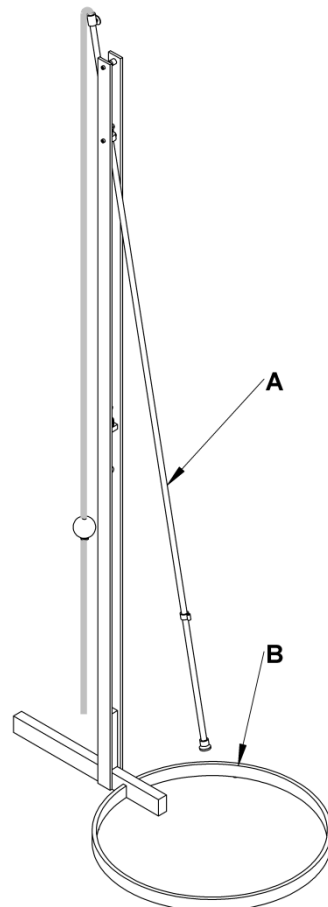


Figure 2

# Glass Installation Instructions

Disq Floor Lamp 234510D

## **To Assemble LED board to fixture head** (Figure 3)

### Component Parts

- D Fixture Head
- K Finial
- L Threaded Nipple
- P Fixture head pipe
- Q Strain Relief
- R Connectors (2)
- S LED Board
- T Hex Nut
- U LED driver
- V Power Cord
- W Hickey / Nipple
- X Washer

1. Locate fixture head (D) and LED board (S) assembly.
2. Remove finial (K) and retain for use later.
3. Unscrew nipple (L) from hex nut (T). Remove hex nut (T) and washer (X) from LED board (S). Retain these parts for use in step 7.
4. Lift LED board (S) off of fixture head (D) and set aside.
5. Locate the end of the power cord with the black and white leads. Slip the fixture head pipe (P) over the cord, non-threaded end first. Feed the cord through the top of the fixture head (D) and out through the side opening of the hickey / nipple (W). Pull out approximately 4" of cord. Slip the strain relief (Q) onto the cord and push it up close to the hickey. Use a flat headed screw driver (not provided) to press in on fastener and screw in the fastener on the strain relief (Q) so that it clamps onto the cord.
6. Screw fixture head pipe (P) into the top of the fixture head (D).
7. Fit strain relief (Q) up into the fixture head (D) and place LED board (S) on fixture head (D).
8. Attach black lead from power cord to connector (R) that is attached to the black lead of the LED board (S). Attach white lead from power cord to connector (R) that is attached to the white lead of the LED board (S). Push connectors (R) and wires up into fixture head.
9. Re-attach using washer (X) nipple (L) and hex nut (T). Apply a small drop of Loctite (supplied to threads on nipple).

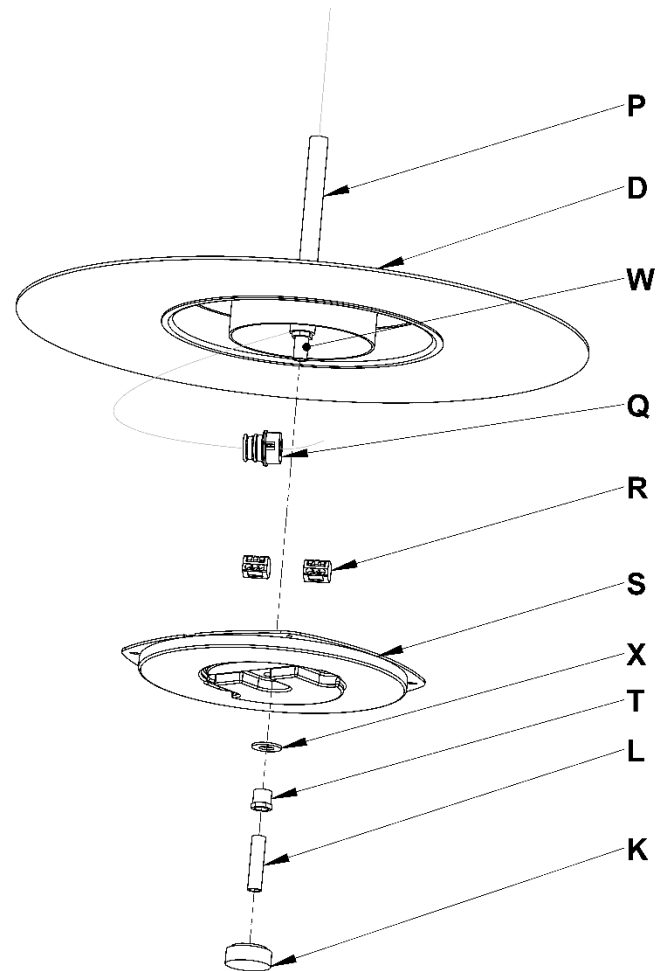


Figure 3

## To Assemble Fixture (Figures 4,5 and 6)

### Component Parts

C	Shade Diffuser Assembly
D	Fixture Head
E	Fixture Pipe
F	Support Cable
H	Gripper Release Ball
I	Gripper
J	Cable Guide
K	Finial
L	Threaded Nipple
M	Cable Roller
Y	Cord Clutch

1. Carefully raise fixture head (D) by lifting up on fixture pipe (E).
2. Once head is lifted, guide support cable (F) to rest on cable guide (J) and cable roller (M) and release head. (See Detail B of Figure 5).
3. To adjust the length of cord that is exposed between the fixture pipe (E) and fixture head (D) unscrew the cord clutch (Y). Adjust cord length to desired height and retighten the cord clutch (Y).

4. Locate Shade/Diffuser(C) assembly. Remove only the plastic wrap that covers the center hole. Do not remove plastic that is wrapped around the circumference of the assembly. Do not use a knife to remove plastic – you may damage the shade or diffuser if a knife is used.

*Note: If it becomes necessary to reassemble the shade/diffuser assembly see instructions on last page.*

5. Raise shade/diffuser assembly (C) up so that upper diffuser presses against fixture.
6. Secure shade/diffuser assembly (C) in place by attaching finial (K) to threaded nipple (L). Be sure not to over tighten.
7. Carefully remove protective plastic wrap from shade/diffuser assembly (C). Do not use a knife to cut the plastic wrap.
8. To adjust height of fixture head (D), lift fixture pipe (E) to relieve tension on the cable (F). (See Detail A of Figure 5)

*Note: An additional person will greatly aid in adjusting the height of the fixture head.*

9. Press gripper release ball (H) down onto gripper (I) to disengage gripper. Move fixture head (D) to desired position and release gripper release ball (H).

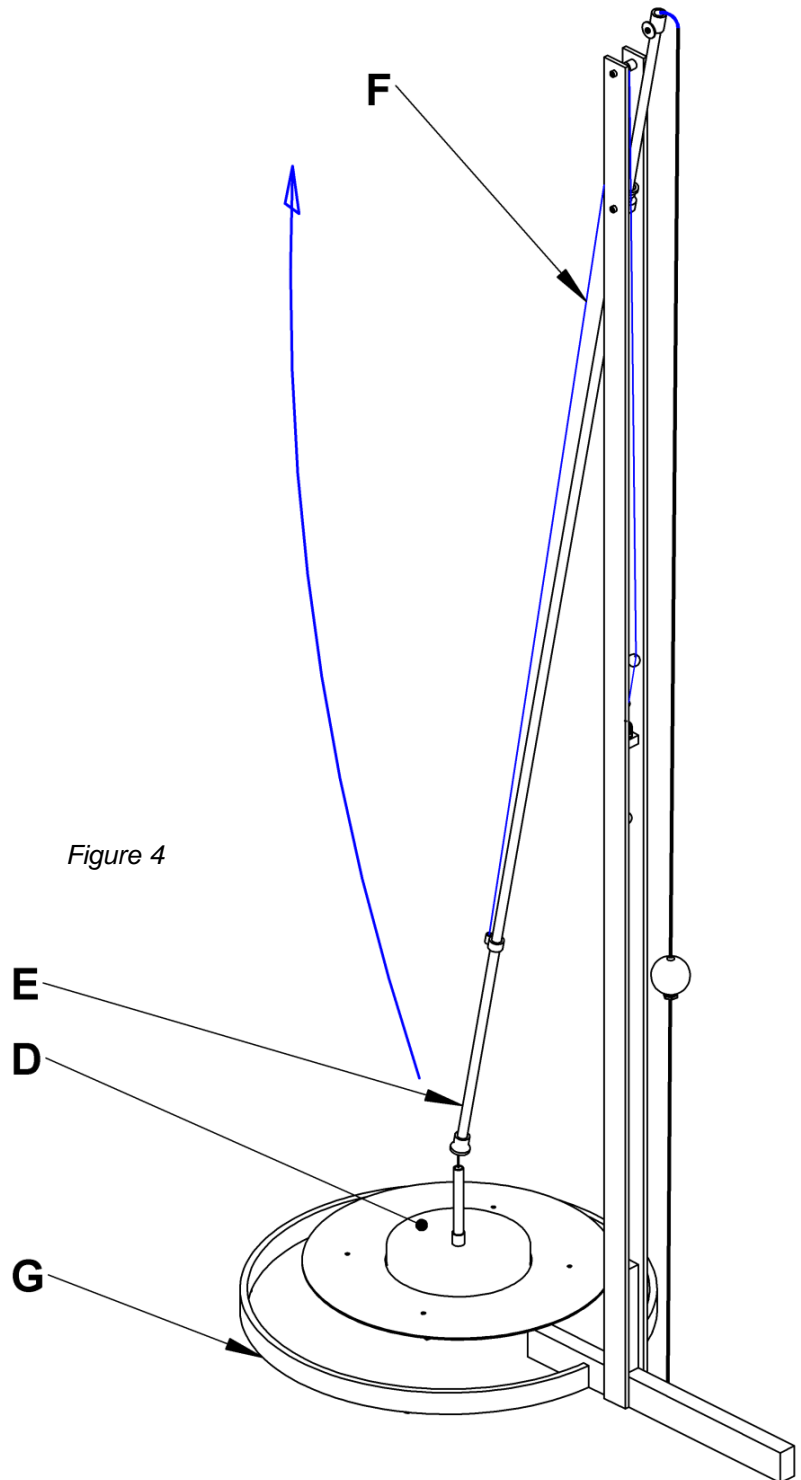


Figure 4

# Glass Installation Instructions

Disq Floor Lamp 234510D

**C74**

Page 4 of 5

10. Insert cord plug into outlet on dimmer box.

*Note: The fixture has two cable stops that limit the height range of the fixture head.*

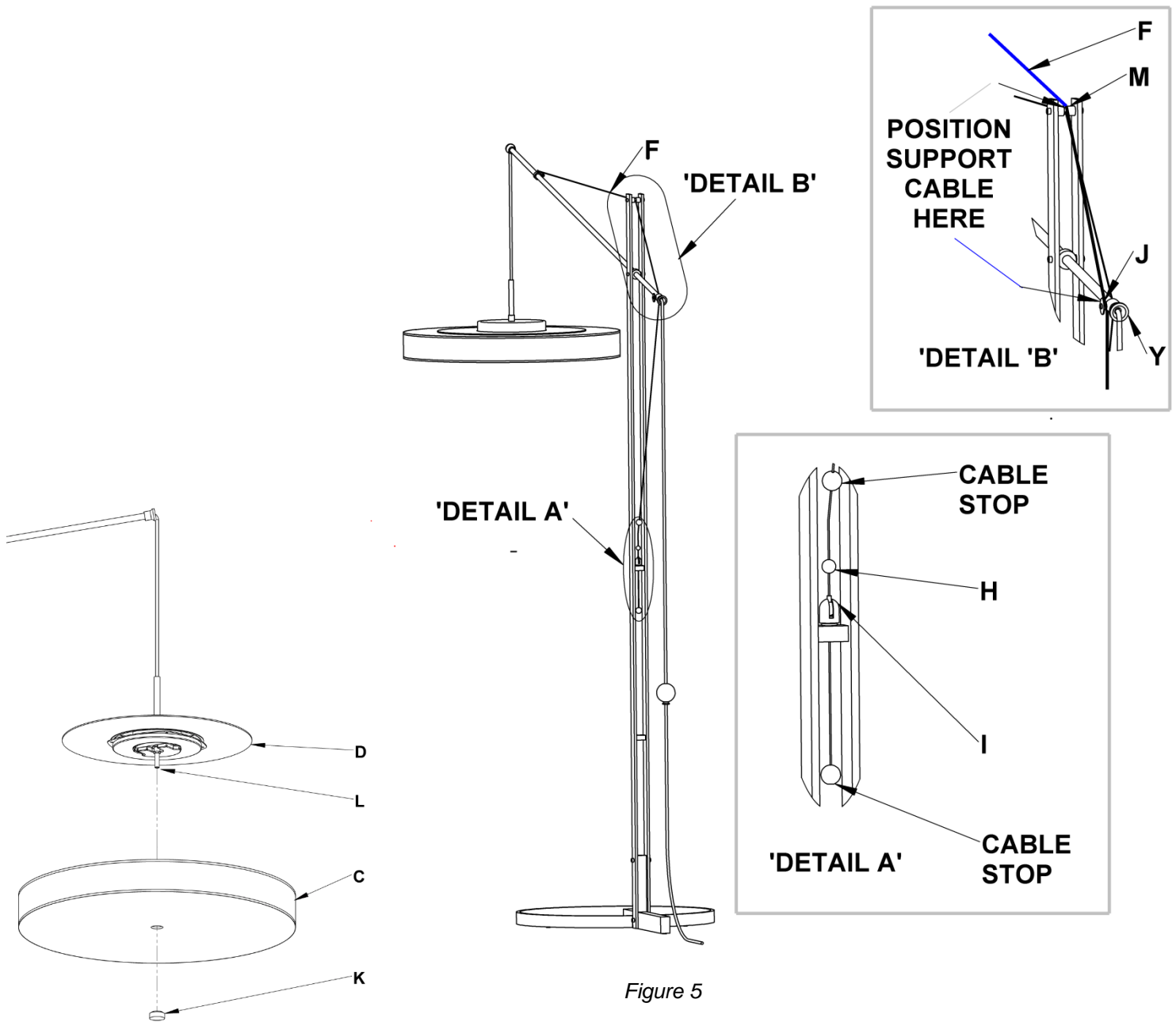


Figure 6

Figure 5

## To reassemble the shade diffuser/shade assembly

1. Place lower diffuser on a flat surface. (Figure 7 & 8).

*Note: An additional person will greatly aid in assembling the shade/diffuser assembly.*

2. Fit shade over lower diffuser in one spot. Hold shade in place while a second person grasps the shade, slides their hands around the diffuser, fitting shade in place. (Figure 8)

Install upper diffuser in similar manner. Fit diffuser inside the shade in one spot. Hold diffuser in place while a second person reaches inside the diffuser and slides their hands around the inside of the shade, allowing the rest of the diffuser to set down in the shade.

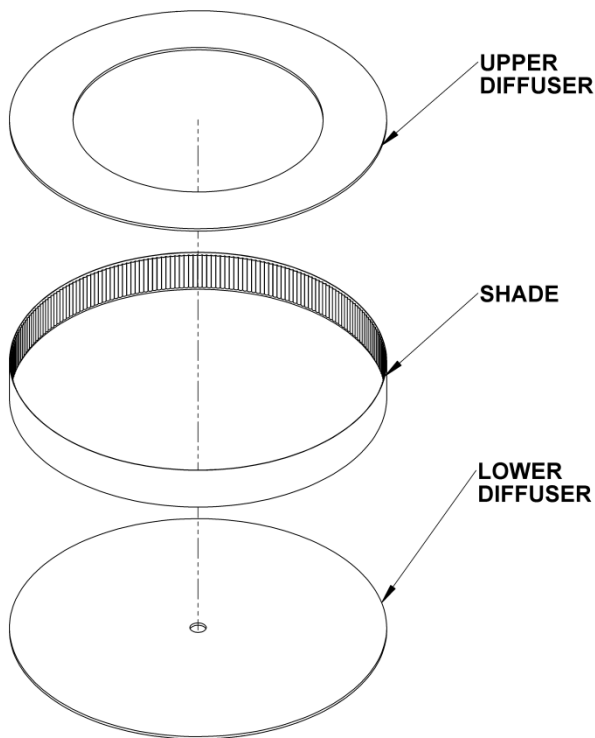


Figure 7

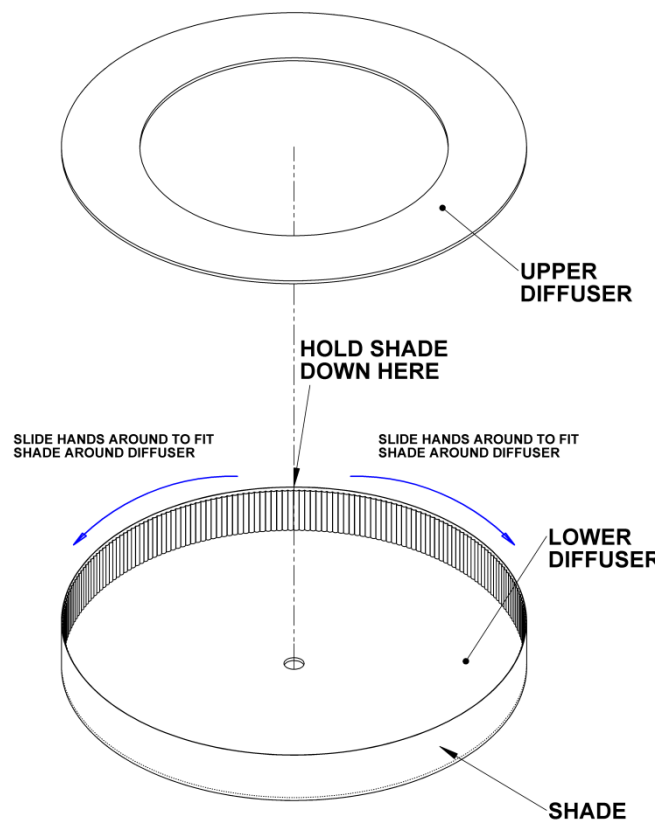


Figure 8

*If you need further assistance, or find that you are missing any parts, please contact the dealer from which you purchased this product. We hope you enjoy your fixture!*

\* Hubbardton Forge will not be liable for injury or damage caused by improper installation, lamping or use of this fixture.