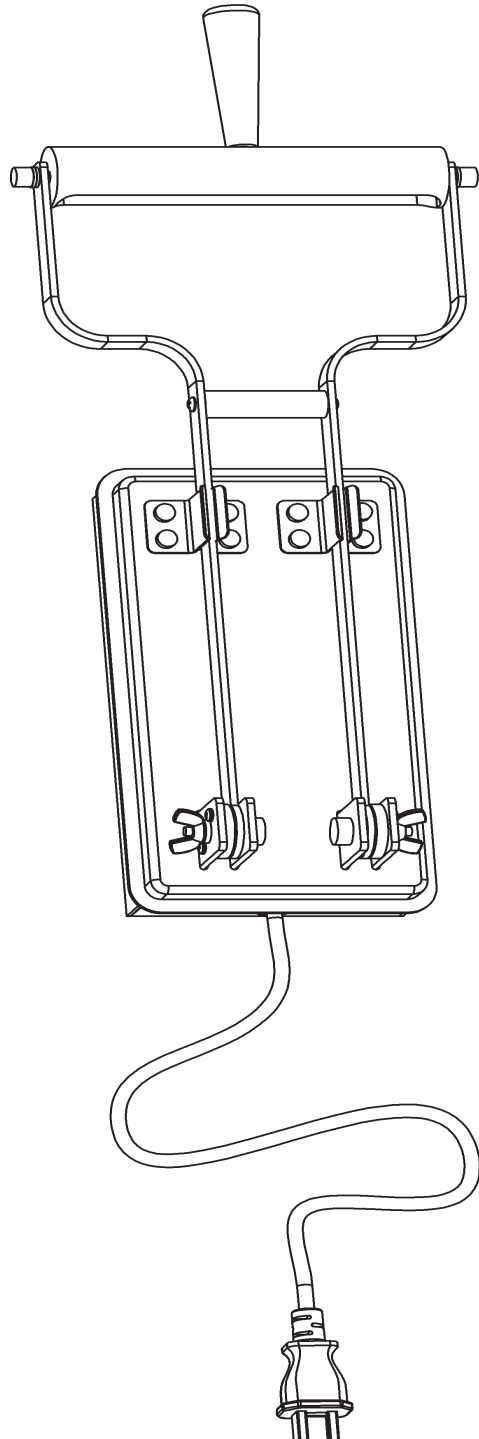


ASSEMBLY & INSTALLATION INSTRUCTIONS

C90

Old Sparky Table Lamp / Pin-up 289465



HUBBARDTON FORGE.

MODERN AMERICAN BLACKSMITHS | FINE, HAND CRAFTED LIGHTING
CASTLETON, VERMONT USA | HUBBARDTONFORGE.COM

40492 Rev A

1 OF 4

Component Parts

- A Fixture**
- B Mounting Bracket**
- C #8 Screws (4)**
- D #10 Screws (4)**
- E Anchors (4)**



ASSEMBLY & INSTALLATION INSTRUCTIONS

C90

Old Sparky Table Lamp / Pin-up 289465

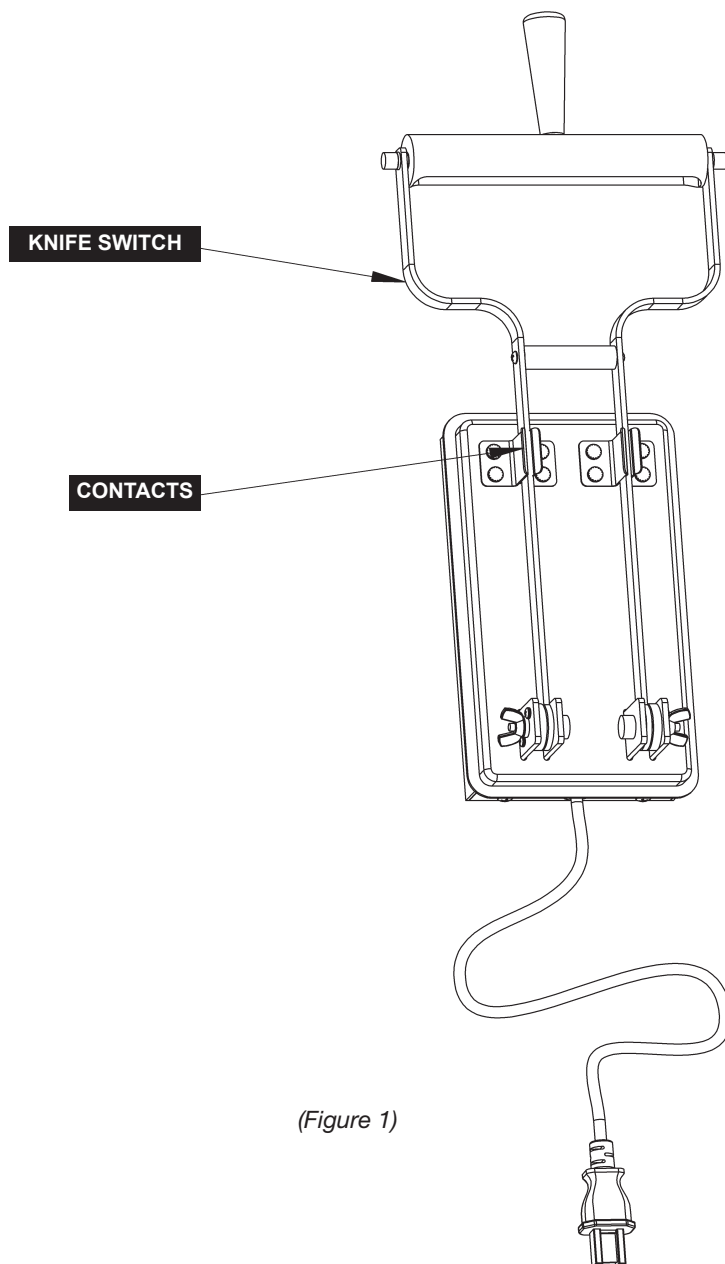
CAUTION: FAILURE TO INSTALL THIS FIXTURE PROPERLY MAY RESULT IN SERIOUS PERSONAL INJURY OR DEATH AND PROPERTY DAMAGE. We recommend installation by a licensed electrician. This product must be installed in accordance with applicable installation code(s), by a person familiar with the construction and operation of the product and the hazards involved.*

Please Note: After installation extra hardware and accessories are possible due to our kits are used on multiple products and options.

To Use Fixture as a Table Lamp (Figure 1)

1. Carefully unpack the fixture (A) from the carton.
2. Plug in power cord.

Note: Lamp will turn on when knife switch is lifted out of the contacts.



(Figure 1)



HUBBARDTON FORGE.

MODERN AMERICAN BLACKSMITHS | FINE, HAND CRAFTED LIGHTING
CASTLETON, VERMONT USA | HUBBARDTONFORGE.COM

40492 Rev A

If you need further assistance, or find that you are missing any parts, please contact the dealer from which you purchased this product. We hope you enjoy your fixture!

* Hubbardton Forge will not be liable for injury or damage caused by improper installation, lamping or use of this fixture.

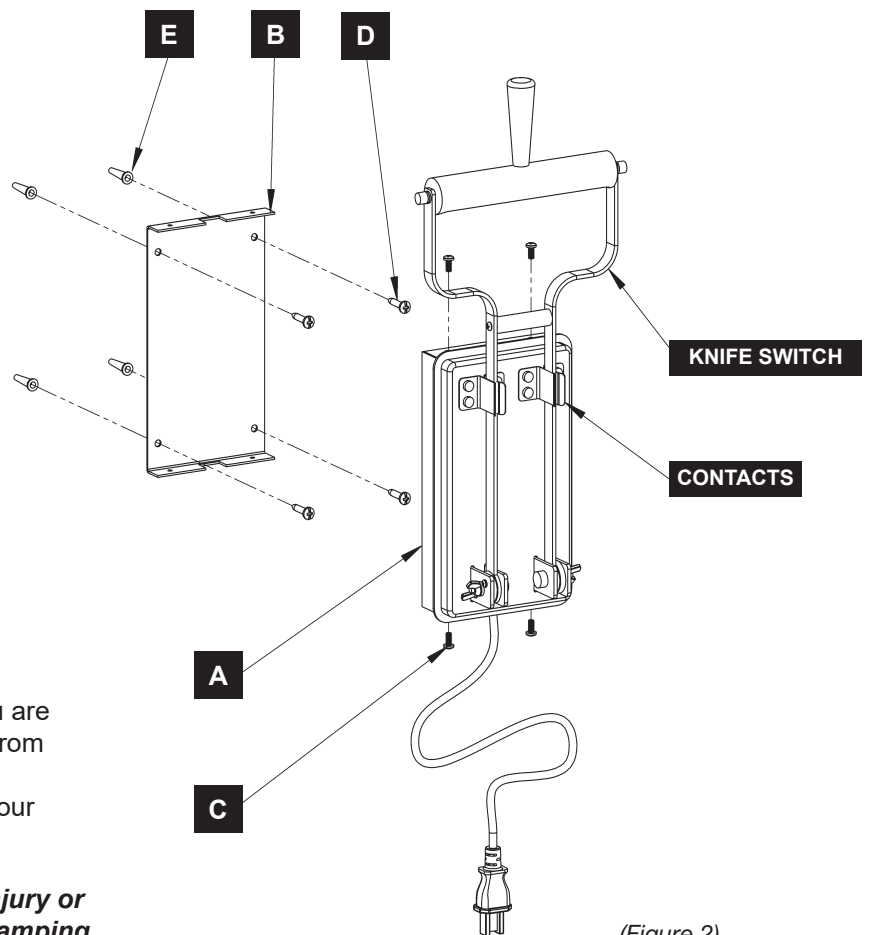
3 OF 4

Old Sparky Table Lamp / Pin-up 289465

To Use Fixture as a Table Lamp (Figure 2)

1. Carefully unpack the fixture (A) from the carton.
2. Remove #8 screws (C) and remove mounting bracket (B).
3. Place mounting bracket (B) in desired location. With a pencil, mark the location of all mounting holes in the mounting bracket on the wall. Set mounting bracket aside.
4. Drill 1/4" holes in the locations marked on the wall. Place the tapered end of the anchors (E) into the holes and gently tap them flush to the wall using a light weight hammer.
5. Using #10 screws (D) screw the mounting bracket (B) securely to the wall. Be careful not to over-tighten or strip the anchors (E).
6. Place fixture (A) on mounting bracket (B) and re-install #8 screws (C).

Note: Lamp will turn on when knife switch is lifted out of the contacts.



(Figure 2)

If you need further assistance, or find that you are missing any parts, please contact the dealer from which you purchased this product. We hope you enjoy your fixture!

*** Hubbardton Forge will not be liable for injury or damage caused by improper installation, lamping or use of this fixture.**



HUBBARDTON FORGE.

MODERN AMERICAN BLACKSMITHS | FINE, HAND CRAFTED LIGHTING
CASTLETON, VERMONT USA | HUBBARDTONFORGE.COM

40492 Rev A

4 OF 4