

Installation Instructions

F14

For Beacon Hall Toilet Paper Holder 84-3005

CAUTION: FAILURE TO INSTALL THIS PRODUCT PROPERLY MAY RESULT IN PERSONAL INJURY OR PROPERTY DAMAGE. We recommend installation by a qualified individual trained in the building trade.

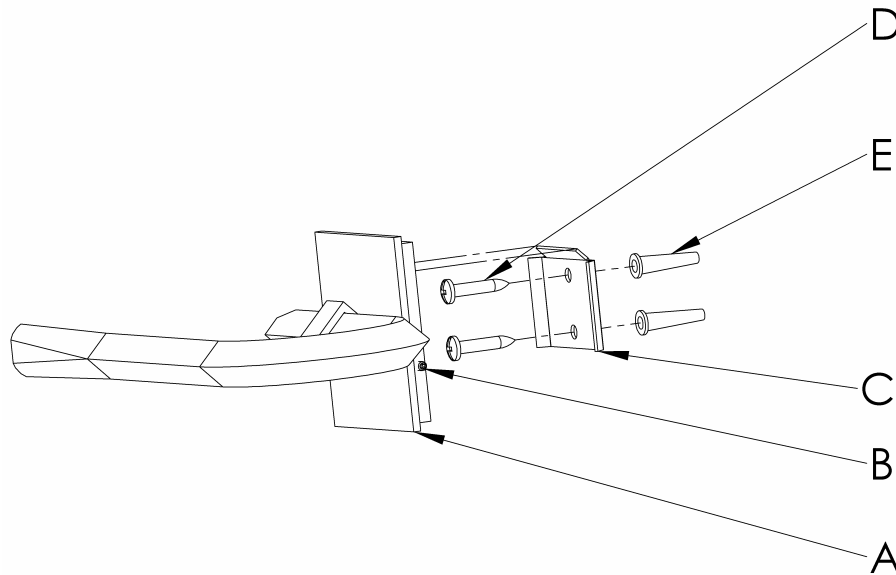
This product must be installed in accordance with applicable installation code(s), by a person familiar with the construction and operation of the product and the hazards involved.*

To Install

Component Parts

- | | |
|-----------------------|--------------------|
| A Toilet Paper Holder | D Screws (2) |
| B Set Screw (2) | E Wall Anchors (2) |
| C Wall Mount Plate | |

1. Hold wall mount plate (C) in location it is to be mounted. With a pencil, mark the location of the mounting holes in the wall mount plate (C) on the wall behind.
2. Put the wall mount plate down and drill 1/4" holes in the locations marked on the wall if wall anchors (E) are to be used. **If directly attaching to a solid support the drilled hole is not needed.** For holes using anchors, place the tapered end of the anchors (E) into the holes and gently tap them flush to the wall using a light weight hammer.
3. Install screws (D) through wall mount plates (C) and into each anchor (E). **If anchors are not needed the screws (D) can be installed directly to the wall.**
4. Loosen two set screws (B). Screws are shipped installed.
5. Slip toilet paper holder (A) onto wall mount plate (C) so the top edge slips onto the angled tab and sits flat against the wall.
6. Tighten set screws (B) on both sides of toilet paper holder (A) until against wall mount plate (C).



(Figure 1)

If you need further assistance, or find that you are missing any parts, please contact the dealer from which you purchased this product. We hope you enjoy your fixture!

* Hubbardton Forge will not be liable for injury or damage caused by improper installation or use of this fixture.