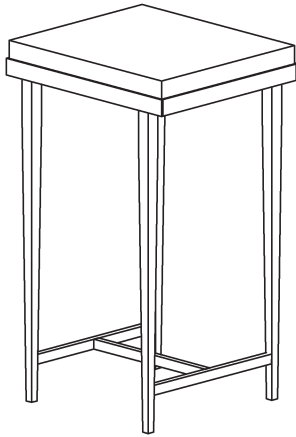


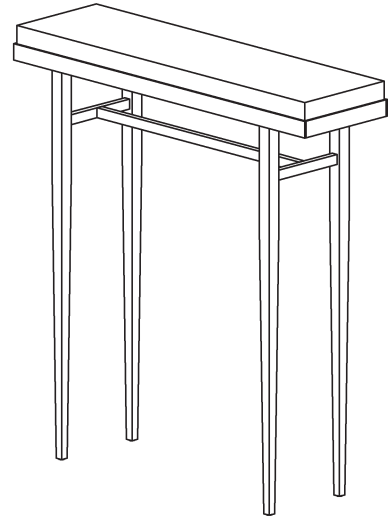
# ASSEMBLY & INSTALLATION INSTRUCTIONS

F19

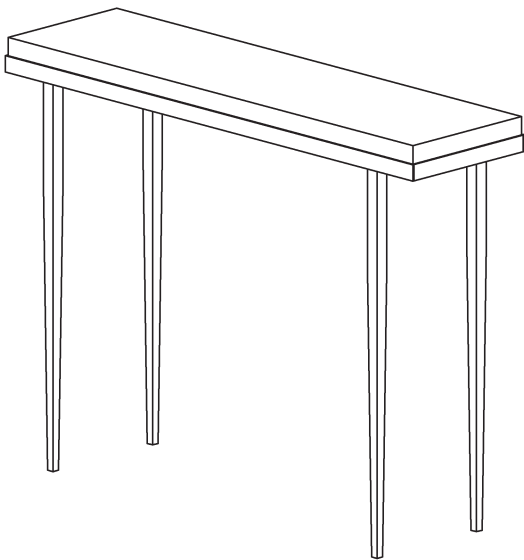
Wick Tables 750102, 750104, 750106 & 750108



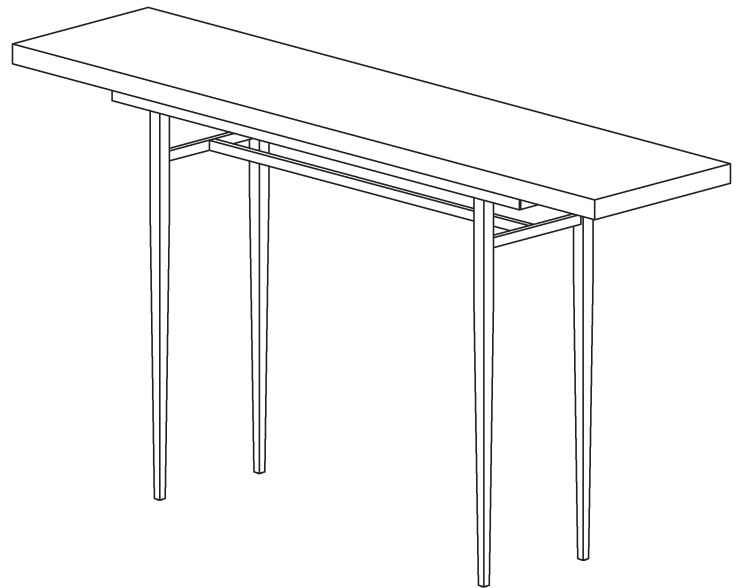
**750102**



**750104**



**750106**



**750108**

# ASSEMBLY & INSTALLATION INSTRUCTIONS

F19

Wick Tables 750102, 750104, 750106 & 750108

---

## Component Parts

- A**    **Table**
- B**    **Felt Pads (4)**



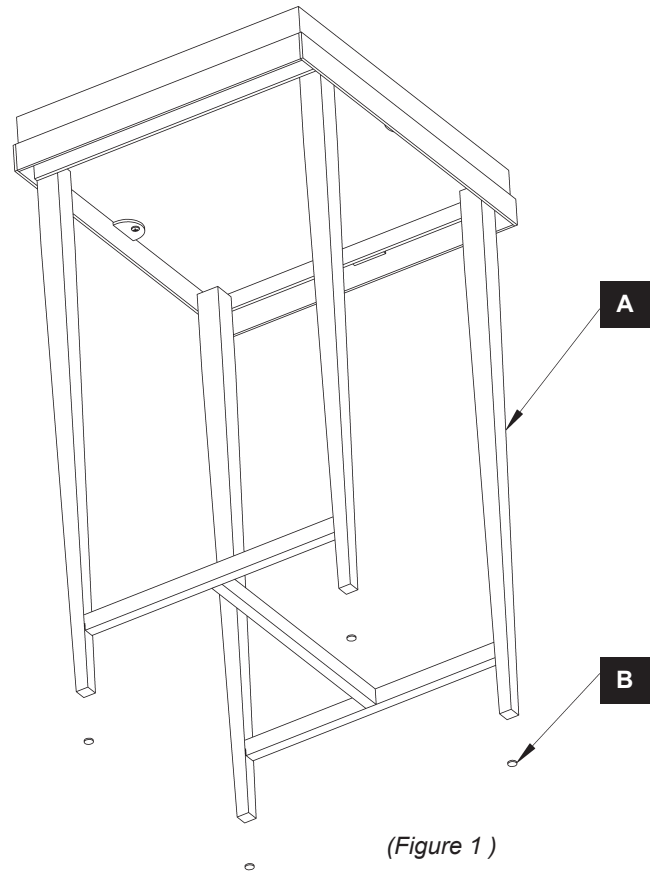
HUBBARDTON FORGE.

# ASSEMBLY & INSTALLATION INSTRUCTIONS

F19

Wick Tables 750102, 750104, 750106 & 750108

1. Carefully unpack table from the carton.
2. Adhere felt pads to the legs of the table if desired.



(Figure 1)

**Cleaning Instructions:** Use a dry soft cloth for dusting purposes, do not rub. Never scrub, use an abrasive, or any solvent-based cleaning products, as this could damage the finish. Wipe dry with soft cloth.

If you need further assistance, please contact the dealer from which you purchased this product. We hope you enjoy your table!

**\* Hubbardton Forge will not be liable for injury or damage caused by improper use of this table.**



HUBBARDTON FORGE.